

PS520 Oven Cart

PART NUMBERS

PS520 Oven Cart: 66966 (18" legs), 66967 (6" legs)

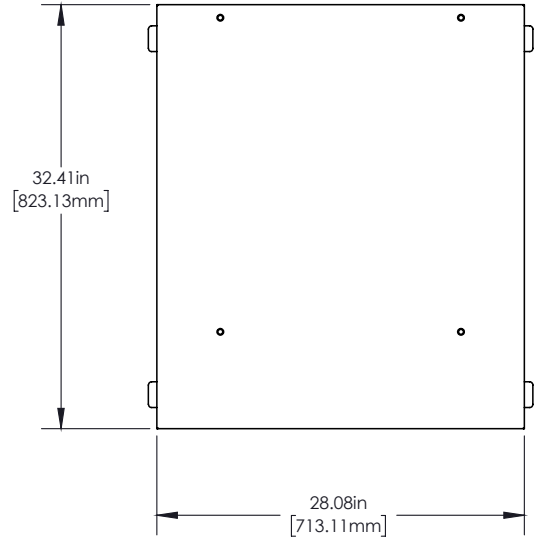
CONSTRUCTION

Stainless steel frame
Integrated locking casters

COMPATIBILITY

⚠ CAUTION: Attachments and locking the casters will not prevent injury or oven damage if the oven is forcefully pulled or not properly attached.

NOTE: Carts should only be used with compatible Middleby Marshall ovens.

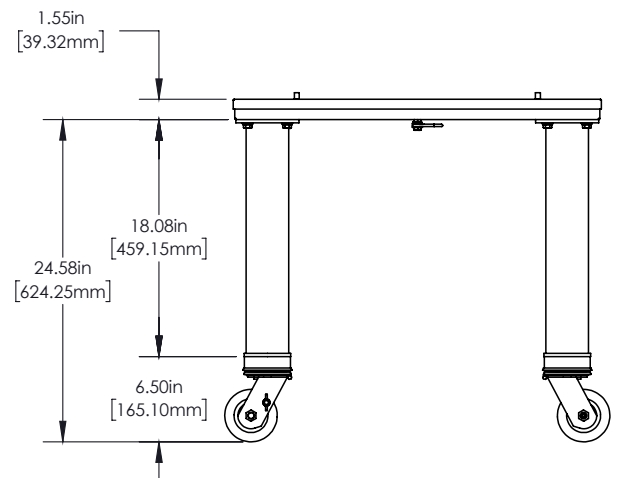


PS520 Oven Cart Top View

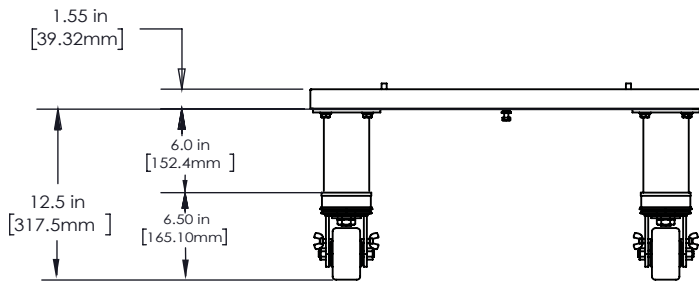
PS520

DIMENSIONS

Height (18" cart including casters)	26.13"	664 mm
Height (6" cart including casters)	14.05"	357 mm
Width	28.08"	713 mm
Depth	32.41"	823 mm



PS520 18" Oven Cart Front View



PS520 6" Oven Cart Front View