



Goldstein

RBA-HD4 CHAR BROILER

Ultra Heavy Duty Radiant BBQ



RBA-HD4 standard features and benefits

- 4 inline, cast iron burners, 145 MJ output - 60% higher than competitors
- Ideal for Steakhouses, Grills, Pubs and Bars
- High temperature firebox and hoods – store and radiate heat
- Easy to remove grills for easy cleaning
- Removable full size grease tray
- Adjustable robust gas switches
- Practical food tray holder at the front
- Stainless Steel frame and exterior
- Manual spark ignition
- Flame failure as standard
- All components easily serviceable from the front

Standard accessories

- Adjustable legs 125-150 mm



Please note, due to ongoing product development and improvement, we reserve the right to change product design and specification at any time without notice.



1800 013 123 | +61 2 9604 7333
sales@middleby.com.au
middleby.com.au

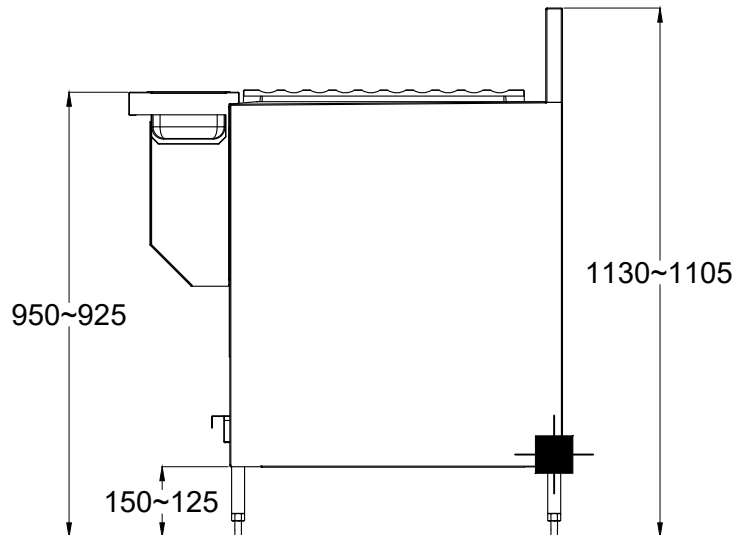
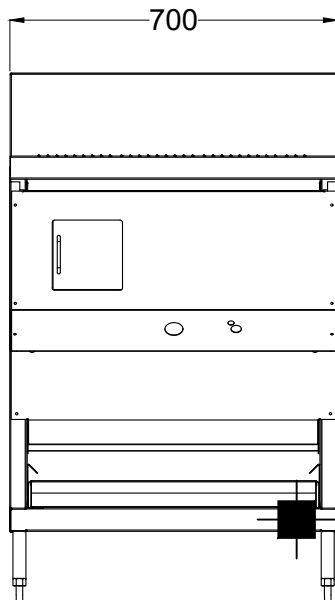
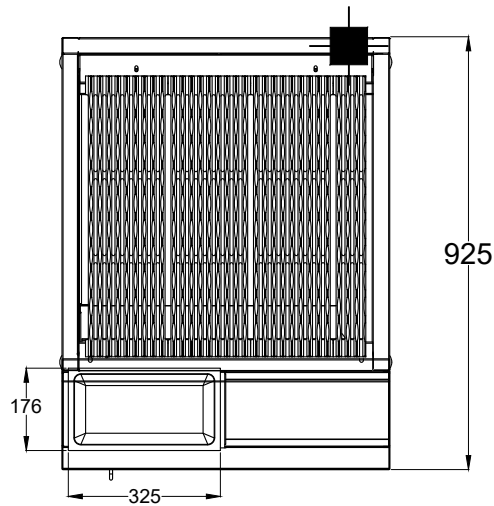
VIC - TAS - 47 Stubbs Street, Kensington VIC 3031
QLD - U12, 210 Queensport Rd Nth, Murarrie QLD 4172
WA - U2, 9 Meares Way, Canning Vale WA 6155, 08 9456 0559

**HEAD OFFICE
AND MANUFACTURING PLANT**
211-217 Woodpark Road, Smithfield NSW 2164

vl_2023



RBA-HD4 CHAR BROILER



Cert. No.
AGA 2641

RBA-HD4 SPECIFICATIONS

Dimensions (WxDxH)	700 x 925 x 1105 mm
Working height	925 mm
Grill area (WxD)	600 x 575 mm

Gas connection	1" BSP M
Rating NG/LPG	145 MJ
Packed weight	210 kg
Packed dimensions	800 x 950 x 1250 mm / 0.95 m ³

INSTALLATION CLEARANCES (minimum)

Front	400 mm	Combustible Material	Side	250 mm*	Non-combustible Material	Side	0 mm
Floor	150 mm		Rear	50 mm		Rear	0 mm

* If adjacent surface is of combustible material and is 100 mm below the cooking surface, then only 50 mm clearance is required.

Please note, due to ongoing product development and improvement, we reserve the right to change product design and specification at any time without notice.



1800 013 123 | +61 2 9604 7333
sales@middleby.com.au
middleby.com.au

VIC - TAS - 47 Stubbs Street, Kensington VIC 3031
QLD - U12, 210 Queensport Rd Nth, Murarrie QLD 4172
WA - U2, 9 Meares Way, Canning Vale WA 6155, 08 9456 0559

HEAD OFFICE AND MANUFACTURING PLANT
211-217 Woodpark Road, Smithfield NSW 2164

v1_2023