

Cleaning and Maintenance

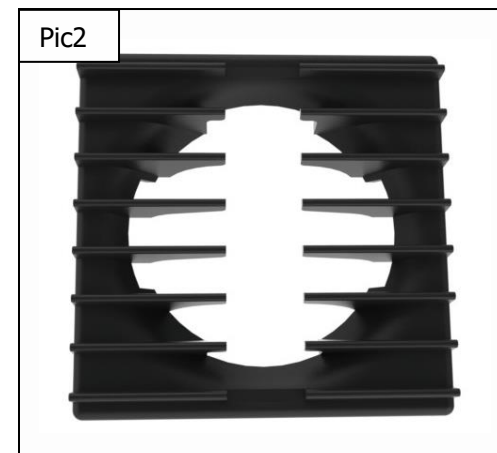
Trivets and Burners

- a. Remove the trivets from the top of the appliance (Refer to pic1).
- b. Remove the burner from the top of the bracket of appliance (Refer to Pic2).
- c. The trivets and burners should be cleaned with a mild detergent and hot water solution using a soft bristled brush. Dry thoroughly with a dry cloth.



Stainless Steel Surfaces

- a. With the trivet and burners removed, clean the interior and exterior surfaces of the Gas Cook Top with hot water, a mild detergent solution and a soft scrubbing brush. Note that the gas control knobs are a push fit onto the gas control valve spindles and can be removed to allow cleaning of the front of the control panel.
- b. Baked on deposits or dis-colouration may require a good quality stainless steel cleaner or stainless steel wool. Always apply cleaner when the appliance is cold and rub in the direction of the grain.
- c. Dry all components thoroughly with a dry cloth and polish with a soft dry cloth.



- d. To remove any dis-colouration, use an approved stainless steel cleaner or stainless steel wool. Always rub in the direction of the grain.
- e. Remove the drip tray and clean with a mild anti-bacterial detergent and hot water solution using a soft bristled brush.
- f. Dry the drip tray thoroughly with a dry cloth.

Trouble Shooting

This section provides an easy reference guide to the more common problems that may occur during the operation of your equipment. The fault finding guide in this section is intended to help you correct, or at least accurately diagnose problems with your equipment.

Although this section covers the most common problems reported, you may encounter a problem not covered in this section. In such instances, please contact your local authorized service agent who will make every effort to help you identify and resolve the problem. Please note that the service agent will require the following information:

- **Model Code and the Serial Number of the appliance. (Both of them can be found on the Rating Plate located on the appliance).**

Fault	Possible Cause	Remedy
Pilot won't light.	No gas supply.	Ensure gas isolation valve is turned on, and that bottles are not empty. Call the service provider.
Pilot goes out when gas control knob released.	Releasing knob before the thermocouple has heated. Pilot flame too small. - Gas pressure too low. - Partially blocked pilot injector. Thermocouple connection to the gas control is loose or faulty. Thermocouple faulty. Electromagnet in the rear of the gas control unit is faulty.	Hold knob in for at least 20 seconds following ignition of the pilot. Clean or replace the pilot injector. Tighten the thermocouple connection. Check that the thermo couple is producing between 20-30mV. Inspect and replace if not in good working order. Call the service provider.
Main burner will not light.	Incorrect supply pressure. Faulty gas control.	Call the service provider. Call the service provider.

NOTE: Components having adjustments protected by the manufacturer are only to be adjusted by an authorized service agent. They are not to be adjusted by an unauthorized service person.

Replacement Parts List

IMPORTANT:

Only genuine authorized replacement parts should be used for the servicing and repair of this appliance. The instructions supplied with the parts should be followed when replacing components.

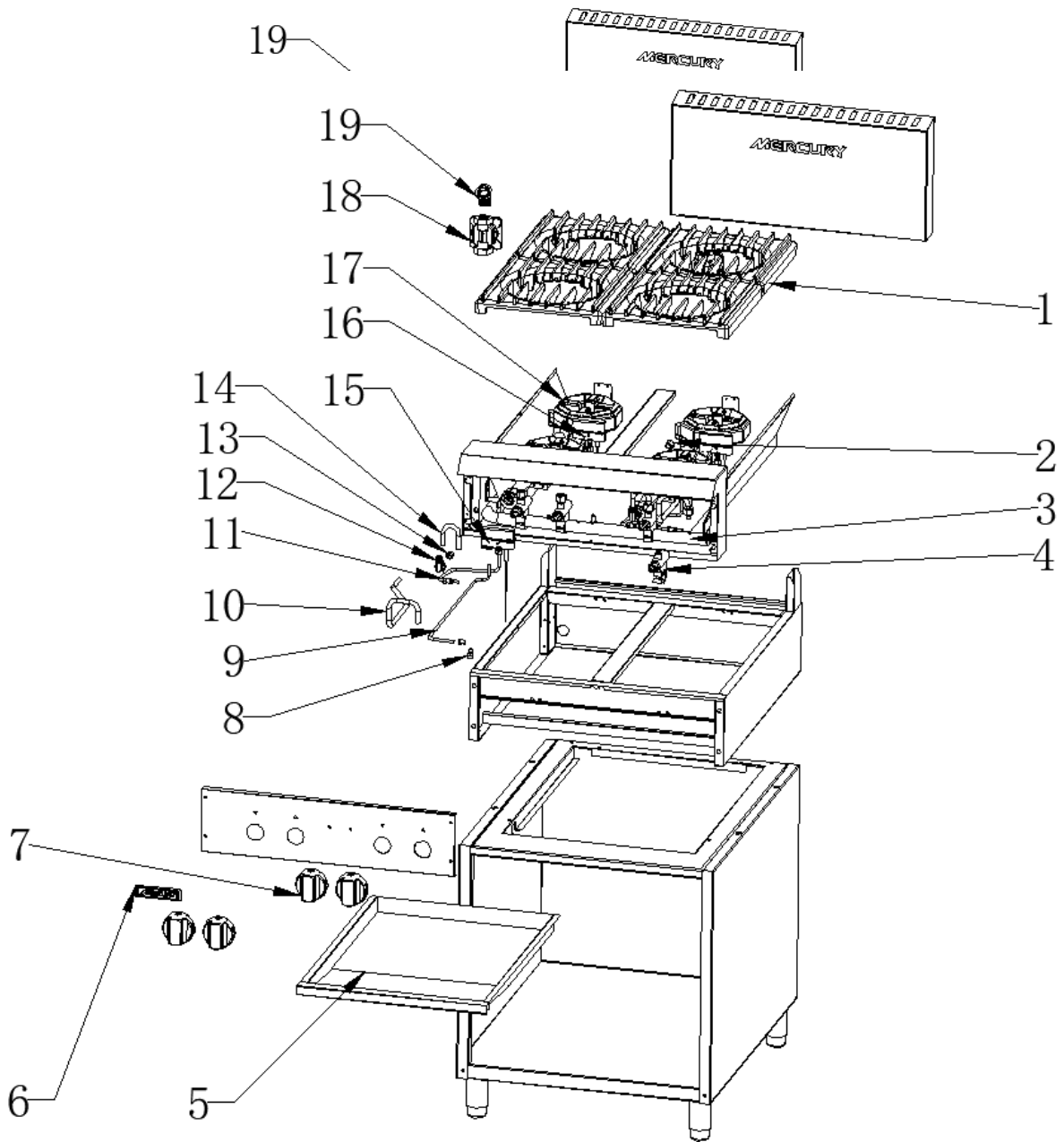
For further information and servicing instructions, contact your nearest authorized service branch.

When ordering replacement parts, please quote the part number and the description listing below. If the part required is not listed below, request the part by description and quote model number and serial number which is shown on the rating plate.

CAUTION: Please replace the corresponding warning label that shows the gas type operated when the qualified person will convert to another gas in order not to cause death or injury or damage.

Explosion Drawing

MHN-24-F



Spare Parts List

NO.	DESCRIPTION	MODEL	CODE	QTY
1	Trivet	MHN-12-F	10401.6084	2
		MHN-24-F		4
		MHN-36-F		6
2	M16 Gas pipe connector nut	MHN-12-F	10202.6306	1
		MHN-24-F		2
		MHN-36-F		3
3	Manifold Assembly (Include A60U valve)	MHN-12-F	20726.6316	1
		MHN-24-F	20726.6317	
		MHN-36-F	20726.6318	
4	Safety Valve(A60U)	MHN-12-F	10208.6021	2
		MHN-24-F		4
		MHN-36-F		6
5	Tray	MHN-12-F	20726.6131	1
		MHN-24-F	20710.6004	
		MHN-36-F	20710.6033	
6	Mercury LOGO	MHN-12-F	10401.6096	1
		MHN-24-F	10401.6096	
		MHN-36-F	10401.6097	
7	Dial	MHN-12-F	20603.6016	2
		MHN-24-F		4
		MHN-36-F		6
8	ODS Injector-0.20 For LPG	MHN-12-F	10208.6025	2
	ODS Injector-0.40 For NG	MHN-24-F	10208.6026	4
		MHN-36-F		6
9	Pilot Pipe Assembly - Rear	MHN-12-F	10206.6137	1
		MHN-24-F		2
		MHN-36-F		3
10	Main Pipe Assembly - Rear	MHN-12-F	10206.6134	1
		MHN-24-F		2
		MHN-36-F		3
11	Pilot Pipe Assembly - Front	MHN-12-F	10206.6136	1
		MHN-24-F		2
		MHN-36-F		3
12	L-Connector	MHN-12-F	10203.6022	1
		MHN-24-F		2
		MHN-36-F		3
13	Orifice For LPG	MHN-12-F MHN-24-F MHN-36-F	10208.6058	2
	Orifice For NG		10208.6043	4
				6
14	Main Pipe Assembly - Front	MHN-12-F	10206.6135	1
		MHN-24-F		2
		MHN-36-F		3

Installation and Operation Instructions

15	Flame Device System –Front (No include injector)	MHN-12-F MHN-24-F MHN-36-F	10108.6002	1 2 3
16	Flame Device System –Rear (No include injector)	MHN-12-F MHN-24-F MHN-36-F	10108.6003	1 2 3
17	Burner	MHN-12-F MHN-24-F MHN-36-F	20726.6257	2 4 6
18	Regulator	MHN-12-F MHN-24-F MHN-36-F	10208.6096	1
19	L Connector For Manifold	MHN-12-F MHN-24-F MHN-36-F	10202.6006	1

PLEASE RETAIN THE MANUAL CAREFULLY FOR REFERENCE

WARNING

Improper installation, adjustment, alteration, service or maintenance can cause property damage, injury, or death. Read the installation operating and maintenance instructions thoroughly before installing, or servicing this equipment.

NOTICE

Under warranty period of the appliance, All the part must be replaced by authorized service provider which approved by Middleby, If not, the warranty may be void.

NOTICE

Any parts that aren't made by MERCURY may void warranty.

NOTICE

Middleby and manufacturer of Middleby keep the right to modify the product.

MERCURY

Middleby Australia
211-217 Woodpark Road, Smithfield NSW 2164
1800 013 123
+61 2 9604 7333