



# IW3N Undercounter Glasswasher



The Eswood IW3N features a robust wash pump and efficient boost heater, ensuring consistent wash quality and rapid processing of up to 1800 glasses per hour. Its user-friendly push-button controls initiate fully automated cycles, including a hot wash cycle or a sequence of hot wash followed by cooling. The addition of a digital temperature display simplifies temperature monitoring in regulated settings. Compliant with stringent health and hygiene standards, the IW3N aligns with FSANZ safe food codes, and holds certifications in HACCP and WaterMark for optimal safety and quality assurance.

## IW3N standard features and benefits

- Up to 1800 glasses per hour
- Selectable cold rinse
- Easy to use controls
- Durable stainless-steel body construction and wash arms
- Accurate digital temperature controller and displays
- Safety cut-off fitted to door
- Easily removable spray arms and filters

### Standard accessories

- 1 x flat rack 430 x 360mm
- 1 x plate/saucer support
- 1 x cutlery container



Please note, due to ongoing product development and improvement, we reserve the right to change product design and specification at any time without notice.



1800 013 123 | +61 2 9604 7333  
sales@middleby.com.au  
middleby.com.au

VIC - TAS - 47 Stubbs Street, Kensington VIC 3031  
QLD - U12, 210 Queensport Rd Nth, Murarrie QLD 4172  
WA - U2, 9 Meares Way, Canning Vale WA 6155, 08 9456 0559

HEAD OFFICE  
AND MANUFACTURING PLANT  
211-217 Woodpark Road, Smithfield NSW 2164

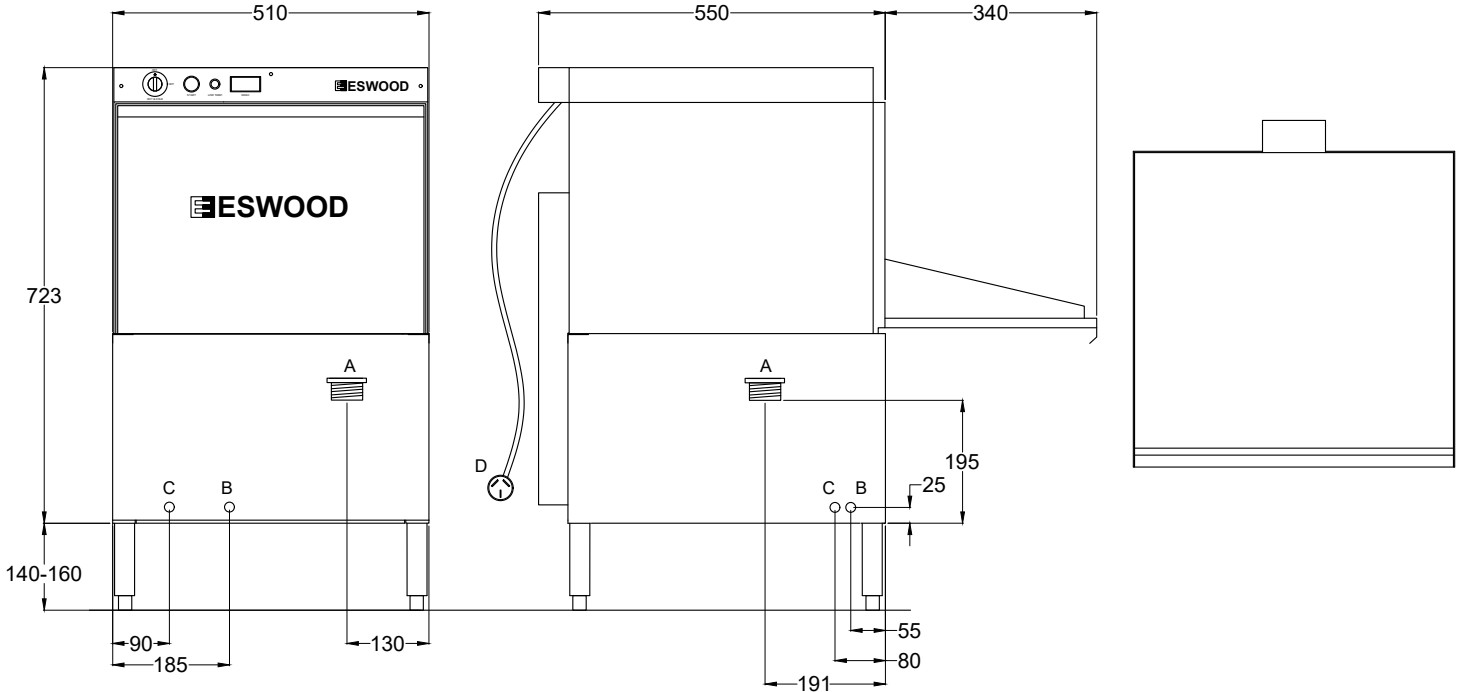
v1\_2024



# IW3N Undercounter Glasswasher



- A. Drain 2" BSP gravity
- B. Hot Water Supply 3/4" BSPM x 1.5m braided hose
- C. Cold Water Supply 3/4" BSPM x 1.5m braided hose
- D. Power Cord 240V 50Hz 15A plug - 2m



## IW3N SPECIFICATIONS

<b>DIMENSIONS (WxDxH)</b>	510 x 550 x 875 mm
<b>DEPTH WITH DOOR OPEN</b>	890 mm
<b>RACK SIZE (WxD)</b>	430 x 360 or 400 x 400 mm
<b>ELECTRICAL CONNECTION</b>	240V, 50Hz, 15A
<b>RATING</b>	3.6 kW / 13.7A
<b>WATER CONNECTION</b>	65°C / 1-4 bar (15-58 psi)
<b>DRAIN CONNECTION</b>	2" BSP gravity
<b>MEAL SERVICE</b>	1800 glasses / hour

<b>WASH CYCLE</b>	50 sec Hot Cycle 50 sec Hot & Cold Cycle
<b>DETERGENT PUMP</b>	Fitted
<b>WATER CONSUMPTION</b>	7L Hot Cycle 7L Hot & 3L Cold Cycle
<b>TANK CAPACITY</b>	12L
<b>WEIGHT</b>	40 kg
<b>PACKED</b>	0.2 m <sup>3</sup>



WM-022833

PE-388-GE-09

Please note, due to ongoing product development and improvement, we reserve the right to change product design and specification at any time without notice.



1800 013 123 | +61 2 9604 7333  
sales@middleby.com.au  
middleby.com.au

**VIC - TAS** - 47 Stubbs Street, Kensington VIC 3031  
**QLD** - U12, 210 Queensport Rd Nth, Murarrie QLD 4172  
**WA** - U2, 9 Meares Way, Canning Vale WA 6155, 08 9456 0559

**HEAD OFFICE AND MANUFACTURING PLANT**  
211-217 Woodpark Road, Smithfield NSW 2164

v1\_2024