



800 SERIES RANGES

700 mm Gas Oven

PFT28 – Gas

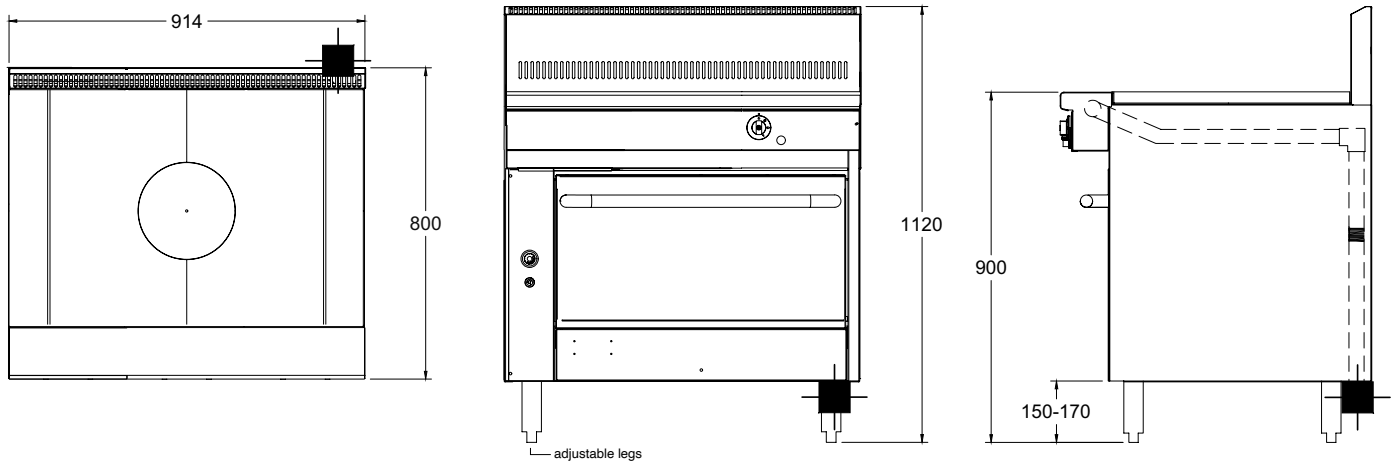
- High performance, even heat 40 MJ top burner for peak productivity
- Pilot flame failure on all burners
- Stainless steel fascia and sides, spill zone and drip trays for ease of cleaning
- Gas static oven in gastronorm compatible sizes
- Ovens are fully insulated vitreous enamel for even heat and easy cleaning
- Heavy duty welded steel body for rigidity and durability

Other options

Gas fan forced or convection oven

Electric static, fan forced or convection oven with gas cooktop

Castors



PFT28 oven & target top options

SPECIFICATIONS

Dimensions (WxDxH)	914 x 800 x 1120 mm
Working height	914 mm
Oven Size (WxDxH)	700 x 560 x 355 mm
Target top	single burner

Weight	200 kg
Packed	0.8 m ³
Gas Connection	3/4" BSP M
Rating	70 MJ

Australia's premier food service equipment manufacturer

middleby.com.au

211-217 Woodpark Road, Smithfield NSW 2164
1800 013 123 | +61 2 9604 7333

 **MIDDLEBY AUSTRALIA**

