



# RBAHD CHAR BROILER

## Ultra Heavy Duty Radiant BBQ



## RBAHD standard features and benefits

- 8 inline, cast iron burners, 290 MJ output - 60% higher than competitors
- Ideal for Steakhouses, Grills, Pubs and Bars with a high table turnover and or heavy basting requirements
- High temperature firebox and hoods – store and radiate heat
- Easy to remove grills for easy cleaning
- Removable full size grease tray
- Separate left and right side heat zones
- Adjustable robust gas switches
- Practical food tray holder at the front
- Stainless Steel frame and exterior
- Manual spark ignition
- Flame failure as standard
- All components easily serviceable from the front

### Standard accessories

- Adjustable legs 125-150 mm



Please note, due to ongoing product development and improvement, we reserve the right to change product design and specification at any time without notice.



1800 013 123 | +61 2 9604 7333  
sales@middleby.com.au  
middleby.com.au

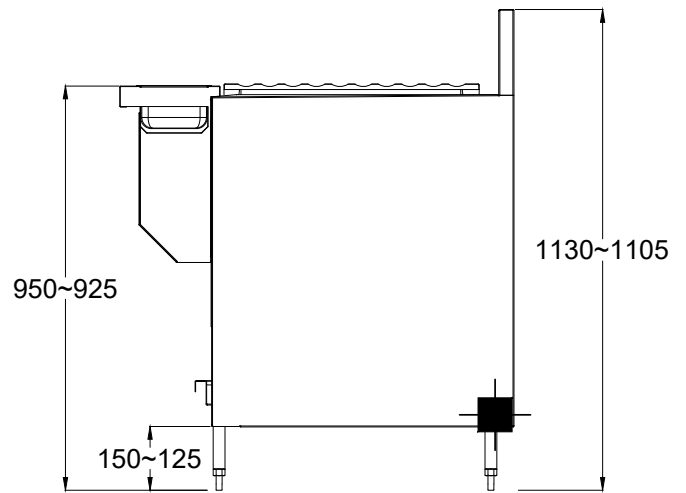
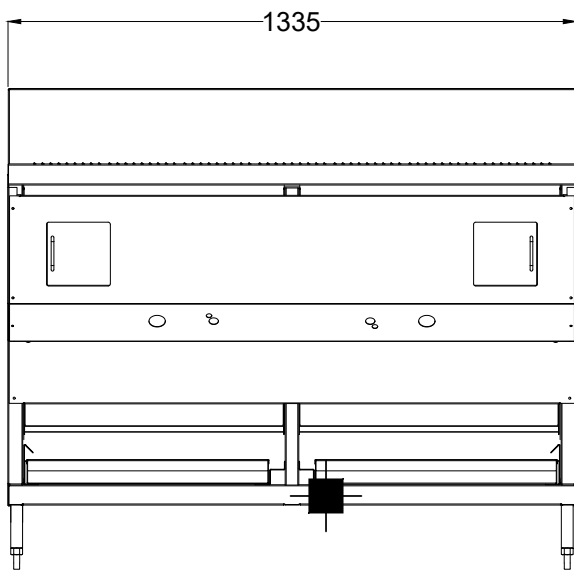
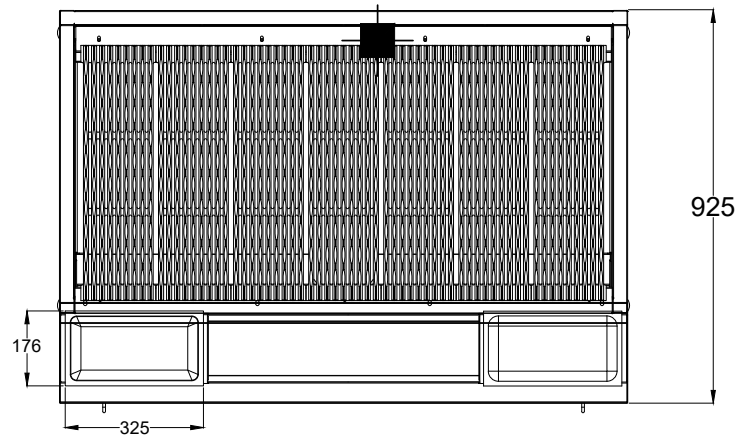
**VIC - TAS** - 47 Stubbs Street, Kensington VIC 3031  
**QLD** - U12, 210 Queensport Rd Nth, Murarrie QLD 4172  
**WA** - U2, 9 Meares Way, Canning Vale WA 6155, 08 9456 0559

**HEAD OFFICE  
AND MANUFACTURING PLANT**  
211-217 Woodpark Road, Smithfield NSW 2164

vl\_2023



# RBAHD CHAR BROILER



Cert. No.  
AGA 2641

## RBAHD SPECIFICATIONS

<b>Dimensions (WxDxH)</b>	1335 x 925 x 1105 mm
<b>Working height</b>	925 mm
<b>Grill area (WxDxH)</b>	1235 x 575 mm

<b>Gas connection</b>	1" BSP M
<b>Rating NG/LPG</b>	290 MJ
<b>Packed weight</b>	420 kg
<b>Packed dimensions</b>	1450 x 950 x 1250mm / 1.72 m <sup>3</sup>

## INSTALLATION CLEARANCES (minimum)

<b>Front</b>	400 mm	<b>Combustible Material Side</b>	250 mm*	<b>Non-combustible Material Side</b>	0 mm
<b>Floor</b>	150 mm	<b>Combustible Material Rear</b>	50 mm	<b>Non-combustible Material Rear</b>	0 mm

\* If adjacent surface is of combustible material and is 100 mm below the cooking surface, then only 50 mm clearance is required.

Please note, due to ongoing product development and improvement, we reserve the right to change product design and specification at any time without notice.



1800 013 123 | +61 2 9604 7333  
sales@middleby.com.au  
middleby.com.au

**VIC - TAS** - 47 Stubbs Street, Kensington VIC 3031  
**QLD** - U12, 210 Queensport Rd Nth, Murarrie QLD 4172  
**WA** - U2, 9 Meares Way, Canning Vale WA 6155, 08 9456 0559

**HEAD OFFICE AND MANUFACTURING PLANT**  
211-217 Woodpark Road, Smithfield NSW 2164

vl\_2023