



THE Eco

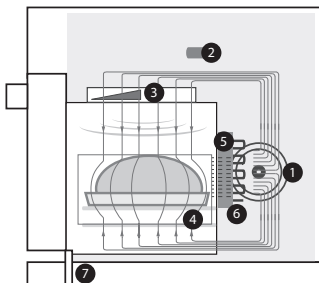


PERFORMANCE

Utilizing TurboChef's patented technology to rapidly cook food without compromising quality, the Eco provides superior cooking performance while requiring less space and consuming less energy.

VENTILATION

- Ventless certification
- EPA 202 test (8 hr):
 - Product: 162 Pepperoni Pizzas
 - Results: 0.89 mg/m³
 - Ventless Requirement: <5.00 mg/m³
- Internal catalytic filtration to limit smoke, grease, and odor emissions.



1. Blower Motor
2. Top-launched Microwave
3. Stirred Impinged Air (Top) and Microwave
4. Air Impingement (Bottom)
5. Catalytic Converter
6. Heater
7. Air Filter

2801 Trade Center Drive, Carrollton, Texas 75007 USA
Phone: 800.908.8726 or +1 214.379.6000
www.turbochef.com

Project _____

Item No. _____

Quantity _____

EXTERIOR CONSTRUCTION

- 430 stainless steel outer wrap and door
- Cool-to-touch exterior; all surfaces below 122°F/50°C
- Ergonomic door handle
- 7-inch capacitive touch screen with tempered glass cover (CON-7195)

INTERIOR CONSTRUCTION

- 201/304 stainless steel
- Fully welded and insulated cook chamber
- Removable rack and lower jetplate

STANDARD FEATURES

- Single motor vertically circulates air impingement
- Top-launched microwave system
- Stirrer to help ensure even distribution of air and microwave
- Integral recirculating catalytic converter for UL® (KNLZ) listed ventless operation
- External air filtration
- Smart menu system capable of storing unlimited recipes
- Flash firmware updates via USB
- Single or dual-temperature interface
- Self-diagnostics for monitoring oven components and performance
- Smart Voltage Sensor Technology* (U.S. only)
- Stackable (requires stacking kit)
- Includes plug and cord (6 ft. nominal)
- Warranty – 1 year parts and labor
- Powder-coated color option available (additional fees apply):
 - Jet Black (RAL-9005)
- Open Kitchen ready™

CONNECTIVITY PART NUMBERS

- MDD-1001 - Initial Equipment
- MDD-1002 - Additional Equipment
- MDD-1003 - Additional Year (PhD SAAS)



COMES WITH STANDARD ACCESSORIES

- 1 Bottle Oven Cleaner (103180)
- 1 Bottle Oven Guard (103181)
- 2 Trigger Sprayers (103182)
- 2 Solid Aluminum Pans (i1-9496)
- 1 Aluminum Paddle (i1-9716)

CERTIFICATIONS



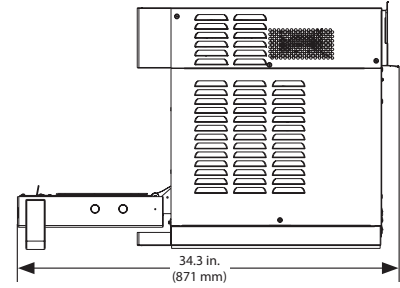
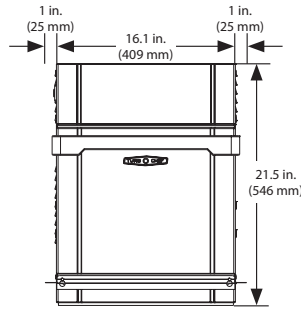
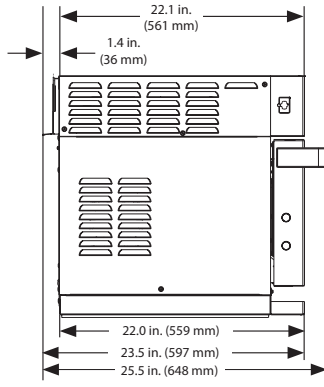
This product conforms to the ventilation recommendations set forth by NFPA96 using EPA202 test method.

* Smart Voltage Sensor Technology does not compensate for lack of or over voltage situations. It is the responsibility of the owner to supply voltage to the unit according to the specifications on the back of this sheet.

† Ventless certification is for all food items except for foods classified as "fatty raw proteins." Such foods include bone-in, skin-on chicken, raw hamburger meat, raw bacon, raw sausage, steaks, etc. If cooking these types of foods, consult local HVAC codes and authorities to ensure compliance with ventilation requirements.

TurboChef reserves the right to make substitutions of components or change specifications without prior notice.

Eco



DIMENSIONS		
Height	21.5"	546 mm
Width	16.1"	409 mm
Depth	23.5"	597 mm
Weight	118 lb.	54 kg
Cook Chamber		
Height / Usable Height	7.2" / 5.7"	183 mm / 145 mm
Width	12.5"	318 mm
Depth / Usable Depth	10.5" / 9.3"	267 mm / 236 mm
Volume / Usable Volume	0.54 cu.ft. / 0.38 cu.ft.	15.3 liters / 10.7 liters
Wall Clearance (Oven not intended for built-in installation)		
Top	5"	127 mm
Sides	1"	25 mm
ELECTRICAL SPECIFICATIONS – SINGLE PHASE		
US/CANADA ECO-9500-1: Stainless Steel ECO-9500-5: Jet Black (RAL 9005)		 L 6-20
Voltage	208/240 VAC	
Frequency	60 Hz	
Current	20 Amps	
Max Input/MW/Heaters & Blowers	3.6 kW/2.0 kW/4.0 kW*	
EUROPE ECO-9500-7-EU: Stainless Steel ECO-9500-11-EU: Jet Black (RAL 9005)		 CEE7/V11
Voltage	230 VAC	
Frequency	50 Hz	
Current	16 Amps	
Max Input/MW/Heaters & Blowers	3.3 kW/2.0 kW/3.7 kW*	
UNITED KINGDOM ECO-9500-13-UK: Stainless Steel ECO-9500-17-UK: Jet Black (RAL 9005)		 BS1363
Voltage	230 VAC	
Frequency	50 Hz	
Current	13 Amps	
Max Input/MW/Heaters & Blowers	2.6 kW/2.0 kW/2.9 kW*	
JAPAN ECO-9500-25-JK (50 Hz)/ECO-9500-31-JK (60 Hz): Stainless Steel ECO-9500-29-JK (50 Hz)/ECO-9500-35-JK (60 Hz): Jet Black (RAL 9005)		 JIS C 8303
Voltage	200 VAC	
Frequency	50 Hz or 60 Hz	
Current	20 Amps	
Max Input/MW/Heaters & Blowers	3.5 kW/2.0 kW/4.0 kW*	

BRAZIL ECO-9500-37-BK: Stainless Steel ECO-9500-41-BK: Jet Black (RAL 9005)		 NBR14136
Voltage	220 VAC	
Frequency	60 Hz	
Current	20 Amps	
Max Input/MW/Heaters & Blowers	3.6 kW/2.0 kW/4.0 kW*	
LATIN AMERICA (includes cleaner and guard) ECO-9500-49-LA: Stainless Steel ECO-9500-53-LA: Jet Black (RAL 9005)		 NEMA 6-20P
Voltage	220 VAC	
Frequency	60 Hz	
Current	20 Amps	
Max Input/MW/Heaters & Blowers	3.6 kW/2.0 kW/4.0 kW*	
LATIN AMERICA (without cleaner and guard) ECO-9500-55-LA: Stainless Steel ECO-9500-59-LA: Jet Black (RAL 9005)		 NEMA 6-20P
Voltage	220 VAC	
Frequency	60 Hz	
Current	20 Amps	
Max Input/MW/Heaters & Blowers	3.6 kW/2.0 kW/4.0 kW*	
AUSTRALIA ECO-9500-74-AK: Stainless Steel ECO-9500-78-AK: Jet Black (RAL 9005)		 CLIPSAL 439S15
Voltage	230 VAC	
Frequency	50 Hz	
Current	13 Amps	
Max Input/MW/Heaters & Blowers	2.6 kW/2.0 kW/2.9 kW*	
SAUDI ARABIA ECO-9500-43-SK: Stainless Steel ECO-9500-47-SK: Jet Black (RAL 9005)		 IEC 309
Voltage	230 VAC	
Frequency	60 Hz	
Current	16 Amps	
Max Input/MW/Heaters & Blowers	3.3 kW/2.0 kW/3.7 kW*	
KOREA ECO-9500-92-KA		 CEE7/V11
Voltage	230 VAC	
Frequency	60 Hz	
Current	16 Amps	
Max Input/MW/Heaters & Blowers	3.3 kW/2.0 kW/3.7 kW*	

SHIPPING INFORMATION	
U.S.: All ovens shipped within the U.S. are packaged in a double-wall corrugated box banded to a wooden skid. International: All International ovens shipped via Air or Less than Container Loads are packaged in wooden crates.	
Box size: 33" x 24" x 34" (838 mm x 610 mm x 864 mm) Crate size: 33" x 24" x 34" (838 mm x 610 mm x 864 mm) Item class: 110 NMFC #26710 HS code 8419.81	
Approximate boxed weight: 163 lb. (74 kg) / Approximate crated weight: 191 lb. (87 kg)	
Minimum entry clearance required for box: 34.5" (876 mm) Minimum entry clearance required for crate: 34.5" (876 mm)	

* Under normal operation, the oven will not exceed the max input value.

TurboChef recommends installing a type D circuit breaker for European installations.