

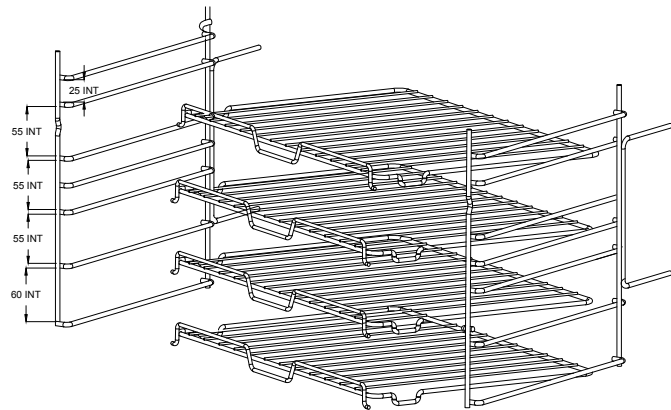
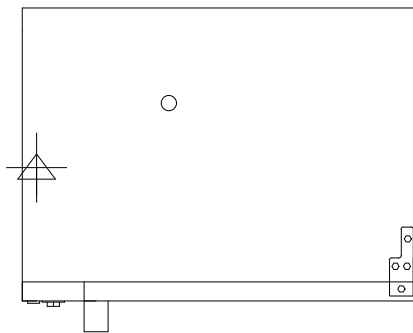
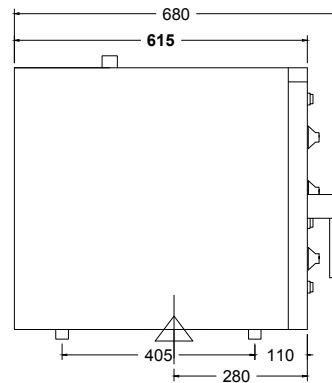
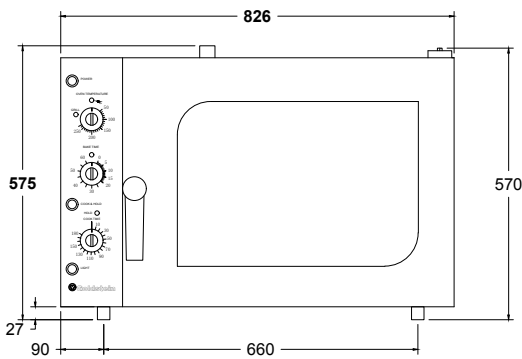


# Convection oven

## Ezybake

### EZ26 - Electric

- Fan forced for high production capacity
- Manual controls with cook & hold
- Glass door and stainless steel body
- Gastronorm tray compatibility



### EZ26

#### SPECIFICATIONS

<b>Dimensions (WxDxH)</b>	826 x 680 x 575 mm
<b>Oven size (WxDxH)</b>	535 x 385 x 365 mm
<b>Functions</b>	Bake, grill, cook & hold

▶ 240V/15A Plug

<b>Electric Connection</b>	240V, 15amp
<b>Rating</b>	3.2kW
<b>Weight</b>	35 kg
<b>Packed</b>	0.3 m <sup>3</sup>

Australia's premier food service equipment manufacturer

[middleby.com.au](http://middleby.com.au)

211-217 Woodpark Road, Smithfield NSW 2164  
1800 013 123 | +61 2 9604 7333

 **MIDDLEBY AUSTRALIA**

