



800 SERIES FRYER

3 baskets

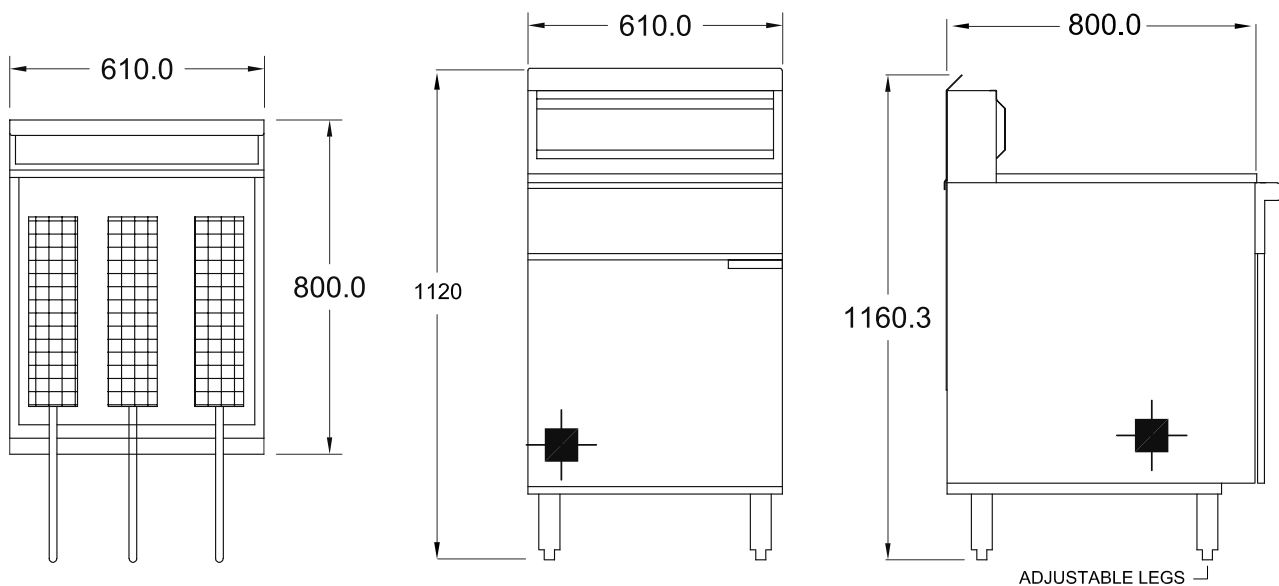
TGF24ML - Gas

- Turbo gas tube type fryer provides a quick recovery along with the benefit of energy efficiency
- Large cool zone for long oil life
- Stainless steel pan for easy cleaning
- Stainless steel baskets
- Cover/joiner strips available for multiple unit installations
- Line-up nosing

Other options

Night lid

Cover/joiner strips



TGF24L 3 baskets

SPECIFICATIONS

Dimensions (WxDxH)	610 x 800 x 1120 mm
Working height	900 mm (±20 mm)
Pan Size (WxDxH)	565 x 355 x 203 mm
Capacity	48 L

■ 3/4" BSP Gas Connection

Gas Connection	3/4" BSP
Rating	147 Mj (NG) / 116 Mj (LP)
Weight	90 kg
Packed	0.6 m ³

Australia's premier food service equipment manufacturer

middleby.com.au

211-217 Woodpark Road, Smithfield NSW 2164
1800 013 123 | +61 2 9604 7333

 **MIDDLEBY AUSTRALIA**

