



# 800 SERIES COOKTOP

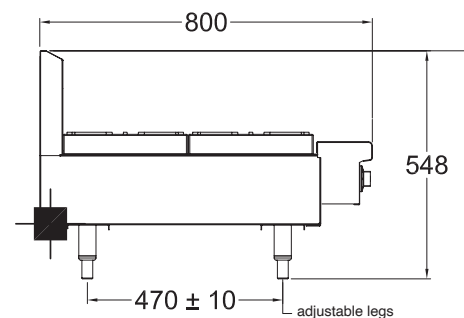
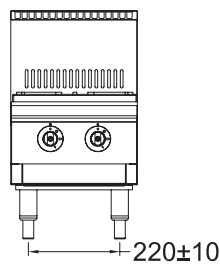
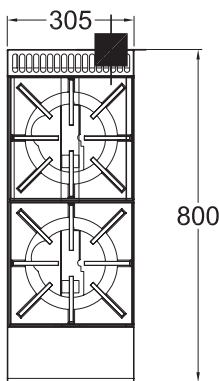
## 2 Burners

### PFBI2 - Gas

- High performance even heat 24 Mj gas open burners and griddle options
- Pilot light standard maximising operating and energy efficiency
- Pilot flame failure on open burners
- Heavy duty removable, easy clean cast iron trivets
- Combination cooktops providing flexibility of configuration to suit any application
- Heavy duty fully welded steel body ensures rigidity and durability
- Stainless steel fascia and sides, spill zones and drip trays for ease of cleaning

#### Other options

Stand or bench mounted



### PFBI2

#### SPECIFICATIONS

<b>Dimensions (WxDxH)</b>	305 x 800 x 548 mm
<b>Working height</b>	320 mm
<b>Burners</b>	2

3/4" BSP Gas Connection

<b>Weight</b>	41 kg
<b>Packed</b>	0.1 m <sup>3</sup>
<b>Gas Connection</b>	3/4" BSP
<b>Rating</b>	48 MJ

Australia's premier food service  
equipment manufacturer

[middleby.com.au](http://middleby.com.au)

211-217 Woodpark Road, Smithfield NSW 2164  
1800 013 123 | +61 2 9604 7333

 **MIDDLEBY AUSTRALIA**

