



800 SERIES GRIDDLE/TOASTER

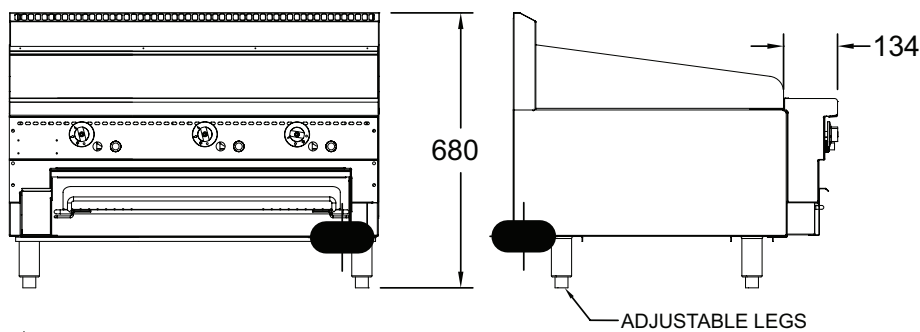
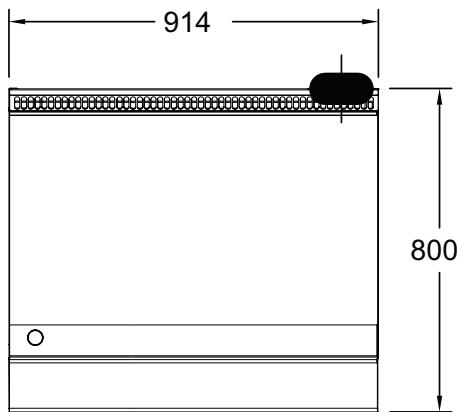
12 mm plate, bench model

GPGDBSA36 - Gas

- 12 mm thick Mild Steel Plate assists with heat retention and even cooking
- Front grease trough, generous chute and catcher
- Stainless Steel fascia and sides, spill zone and grease can for ease of cleaning

Other options

Machined steel or ribbed plates



GPGDBSA36

SPECIFICATIONS

Dimensions (WxDxH)	915 x 800 x 680 mm
Plate size (WxDxH)	915 x 520 x 12 mm
Gas connection	3/4" BSP

3/4" BSP Gas Connection

Rating	57 Mj
Weight	160 kg
Packed	0.5 m ³

Australia's premier food service equipment manufacturer



middleby.com.au

211-217 Woodpark Road, Smithfield NSW 2164
1800 013 123 | +61 2 9604 7333

