

- C. With a small jack, or using the lever and fulcrum method (such as a length of board and a small wooden block), gently lift the affected side of the unit until the Caster is clear of the floor (1" is sufficient). Shim or block the bottom of the unit to hold it up and remove the lifting device. Lift and repair one side at a time.



IMPORTANT: LIFT AND REPAIR FROM THE SIDE ONLY WITH THE DOORS SECURELY TAPED CLOSED OR REMOVED. DO NOT LIFT UNIT FROM THE FRONT OR BACK. THE UNIT MAY OVER-BALANCE AND TIP OVER!

- D. Complete the repair (see *To Replace Caster*) and reverse this procedure to lower the unit to the floor.

To Lay Unit Down - -

- A. Disconnect any service lines (electrical or water) to the unit.
- B. Move the unit to a level surface that provides a good work area.
- C. Engage all Caster locks.
- D. Remove the Side Access Panel [76] from the side of the unit with the defective Caster. Also remove any unnecessary weight from the unit such as pans, trays and shelves. Even the Doors can be lifted off.
- E. Place a 2x4, stacked lumber or any similar item BEHIND the rear Casters and immediately under the back bottom edge of the unit. Have another piece handy to place under the top of the unit.
- F. With plenty of help and extreme care gently tilt the unit back onto the spacer behind the Casters and lower it to the floor. Allow it to rest on the second spacer (keep this spacer as close to the top of the unit as possible to avoid damage to the outside back).
- G. Complete the repair (refer to *TO REPLACE CASTER*) and reverse this procedure to stand the unit upright. It is a wise precaution to station someone in front of the unit while it is being raised to prevent the unit from skipping out at the bottom.

To Replace Caster - -

- A. Remove the Side Access Panel [76] from the side of the unit with the defective Caster.
- B. Remove all weight from the affected Caster (see *To Raise Unit...* or *To Lay Unit Down*).
- C. Use a 7/16" wrench or socket to remove the four nuts on the Caster mounting bolts. Remove the mounting bolts from the base of the unit and remove the defective Caster.
- D. Position the replacement Caster under the unit base and insert the mounting bolts. Install and tighten the nuts.
- E. Replace the Side Access Panel. Be careful not to pull or pinch any wires when replacing this Panel.

NU-VU® EQUIPMENT WARRANTY

NU-VU® products are warranted against defects in workmanship and materials. No other express warranty, written or oral, applies. No person is authorized to give any other warranty or assume any other liability on behalf of NU-VU®, except by written statement from an officer of NU-VU®.

Your NU-VU® equipment warranty is limited to the following time periods for the original owner only:

	<u>PARTS</u>	<u>LABOR</u>
Inside the United States	24 Months	12 Months
All areas outside the United States	12 Months	12 Months

These time limits will apply in all cases unless prior arrangements have been made and agreed to in writing.

The NU-VU® equipment warranty is composed of the following:

PARTS:

This limited warranty covers certain electrical, electronic and mechanical parts for the time period listed above, *excluding light bulbs, fuses, and gaskets*. Customers who maintain an open account may purchase against their account. MasterCard, Visa and American Express credit cards are also accepted

The return of defective parts is required. The return of a defective part or component must be made prior to the issuance of a credit on an open account. If a part that is returned tests satisfactory in the NU-VU® factory or at an authorized NU-VU® dealer or service agency, NU-VU® may withhold issuing credit. Replacement parts will be warranted for a period of *six (6) months* provided they are installed and used in a manner authorized by NU-VU®.

LABOR:

We require that you call our NU-VU® Service Department at (800) 338-9886 for service authorization BEFORE you call any service agency if you wish to claim a labor expense under this warranty. We may be able to solve your problem over the telephone, or we will schedule a service call by a reliable service agency in your area.

This warranty covers the replacement and installation of those parts and components included under **PARTS** for the appropriate time period as listed above. This coverage is limited to the normal mileage allowance for a maximum travel radius of up to fifty (50) miles, and the normal labor rate times the allowable hours for performing the work as set forth in the following listing:

STANDARD TIME ALLOWANCES FOR WARRANTY REPLACEMENTS

<u>Change performed</u>	<u>Change time</u>	<u>Test time</u>	<u>Total time</u>
Oven Heating Element	1 hr.	½ hr.	1½ hr.
Oven Motor/Rebalance Fan	1 hr.	½ hr.	1½ hr.
Solid State Control	½ hr.	½ hr.	1 hr.
Control Sensor	½ hr.	½ hr.	1 hr.
Proofer Heating Element	½ hr.	½ hr.	1 hr.
Contacto/Relay	½ hr.	5 min.	½ hr.
Proofer Motor	½ hr.	5 min.	½ hr.
Power Switch	¼ hr.	5 min.	¼ hr.
Indicator Light	¼ hr.	5 min.	¼ hr.

These times are based on servicing a unit that has been installed with allowance made for Access Panels on the unit. If the unit is built into a wall that makes servicing very difficult or impossible without removing part of the counter, wall, trim, etc., the extra time for gaining access shall be charged to the owner of the unit. NU-VU® has determined that the listed times, which are based on the period necessary for a trained service person to perform the work noted, are fair and reasonable. If a problem is not diagnosed within one half hour, the service person must contact the NU-VU® Service Department via telephone. Additional time for problem solving will not be allowed unless this procedure is followed. An appointment for servicing a unit should be set up since time will not be allowed for waiting to service a unit. Unless the service person justifies extra time for performing the work noted, charges for work performed by the service person in excess of the allowed time shall either be billed to the owner of the equipment or denied.



IMPORTANT: NU-VU® WILL NOT PAY FOR ANY SERVICE CALLS AS WARRANTY WORK IF AN AUTHORIZED SERVICE AGENCY DETERMINES THAT YOUR EQUIPMENT IS SET UP AND OPERATING PROPERLY!

WARRANTY LIMITATIONS:

NU-VU® will pay for parts and labor under warranty if there is a defective part or component, but not for:

- Normal operational wear and tear on the following parts:
 - Light bulbs and fuses
 - Door handles, catches and gaskets
- Damage attributable to customer abuse, including -
 - Proofer water pan allowed to run dry and burn.
 - Proofer fan motor damaged from not following outlined Dry-Out Procedure.
 - Lack of regular cleaning and/or maintenance.
- Power supply problems, including -
 - Insufficient or incorrect voltage.
 - Damage to electrical components caused by a power surge or spike.
 - Incorrect installation (i.e., equipment not supplied with separate neutral or ground as required, or incorrect location of high-voltage power leg for 240-volt 3-phase units).
 - Damage to electrical components resulting from use of an incorrect power supply cord or circuit breaker.
- Operational problems resulting from customer's failure to follow established procedures outlined in the Owner's Manual.
- A service call if nothing is found to be wrong (any returned parts work as per spec when tested).
- Recalibration of temperature and humidity controls (all controls are carefully calibrated and tested at our facility before shipment).
- Any equipment moved from the place of original installation unless NU-VU® agrees in writing to continue the warranty after the relocation.
- Ongoing operational adjustments due to changing environmental conditions or normal wear and tear.
- Any overtime charges. NU-VU® will pay straight time only for any work performed on NU-VU® equipment.

Products must be installed and maintained in accordance with NU-VU® instructions. Users are responsible for the suitability of the products to their application. There is no warranty against damage resulting from accident, abuse, alteration, misapplication, inadequate storage prior to installation, or improper specification or other operating conditions beyond our immediate control. Claims against carriers damage in transit must be filed by the buyer; therefore, the buyer **must inspect** the product immediately upon receipt.

***THIS WARRANTY DOES NOT COVER ADJUSTMENTS
DUE TO NORMAL ON-GOING USE OF THE UNIT!!!***

PARTS RETURN PROCEDURE AND CONDITIONS:

The following procedure shall be followed for the return of parts to the factory for credit consideration:

- All parts received by NU-VU® must have a completed RETURN AUTHORIZATION FORM as supplied by NU-VU® with the replacement part.
- Package all return parts securely so that in-transit damage cannot occur.
- Prepay shipment. Any parts returned collect will be refused by our receiving department. Credit will be considered on proper returns only.
- As soon as parts are tested and confirmed to be defective credit will be issued against them.
- If the engineering test shows the component is not defective and is in good working condition it may be returned to you along with your request for payment.

REPLACEMENT PARTS LIST

(SUBWAY OP-2FM)

Reference #	Description	Replacement Part #
Electrical Components - -		
1	Power Terminal Block	50-0237
2	Ground Lug	50-0062
3	Contactor	66-2013
4	Oven Temperature Control Circuit Board	252-5001
	Circuit Board Fuse, .5 amp	66-2015
	Temperature Control , Mechanical	252-5006
5	Oven Temperature Control Sensor (Solid State Only)	252-3001
6	Oven Heating Element:	
	208v, 2000w	251-1005
	240v, 2000w	251-1002
7	Oven Motor *	66-5035
8	Proofer Temperature Control Circuit Board, Solid State	252-4001
	Circuit Board Fuse, .5 amp	66-2015
9	Proofer Temperature Control Sensor (Solid State Only)	252-3001
10	Proofer Humidity Control Circuit Board, Solid State	252-4001
	Circuit Board Fuse, .5 amp	66-2015
11	Proofer Humidity Control Sensor	252-3001
12	Proofer Manual Fill Heat Element (120v 255w)	60-0001-1-B
13	Proofer Manual Fill Humidity Element Assembly (120v 625w) †	251-2001
14	Proofer Motor Assembly (Manual Fill only) ‡	250-2004
15	Door Micro Switch	252-2004
16	Buzzer Alarm	252-1003
17	Thermal Overload Safety	66-1014
18	Light Fixture for Units 1997 and Newer:	
	Oven Bulb Socket w/Globe	252-7004
	Proofer Bulb Socket w/Globe	252-7004
	Globe Only	50-1021
	Port Hole Socket Only	50-1020
	Globe Gasket, Oven.....	70-0354-A
	Globe Gasket, Proofer.....	70-0361-A
	Light Bulb (120v, 40w Brass Based Appliance)	50-0695
18	Light Fixture for Units 1997 and Older:	
	Single Socket Kit	252-7001
	Three Socket Kit.....	252-7002
	Light Cover, Four Screw Mounted.....	21-0020
	Light Cover, Two Screw Mounted 4" Wide.....	23-0067
	Light Cover, Two Screw Mounted 5-3/16" Wide	153-8021
	Light Bulb (120v, 40w Brass Based Appliance)	50-0695
19	Fuse Holder	50-0368
	20-amp Fuse.....	50-0369

* Supplied with MOTOR MOUNT and BLOWER WHEEL in Kit #250-1002.

† Supplied with SUPPORT PAN and ADAPTER RING.

‡ Supplied with MOTOR MOUNT and FAN BLADE.

(refer to page 48 for AUTOMIST components)

Oven Control Components - -

21	Oven Power Switch , Black Breaker	252-6001
	Oven Power Switch , White Rocker.....	252-6002
22	Temperature Control , Solid State	252-5001
	Control Knob, Solid State	253-2003
	Temperature Control , Mechanical	252-5006
23	Temperature Control Indicator Light	50-0029-A
24	Oven Timer (60-Minute)	252-1004
	Timer Knob	253-2002

Proofer Control Components - -

31	Proofer Power Switch	252-6001
	Oven Power Switch , White Rocker.....	252-6002
32	Temperature Control , Solid State	252-4001
	Control Knob	253-2003
	Temperature Control , Mechanical	252-4004
33	Temperature Control Indicator Light	50-0029-A
34	Humidity Control , Solid State	252-4001
	Control Knob	253-2003
	Temperature Control , Mechanical	252-4004
35	Humidity Control Indicator Light	50-0029-A
36	Proofer Timer (60-Minute)	252-1004
	Timer Knob	253-2002

Door Components - -

41	Oven Door:	
	Hinged Left	21-1900
	Hinged Right	21-1920
42	Proofer Door:	
	Hinged Left	21-1950
	Hinged Right	21-1950
43	Hinge:	
	Left side	254-3011
	Right side	254-3012
	Hinge Reversing Kit:	
	Right to Left	21-7045
	Left to Right	21-7046
44	Latch/Catch Assembly , Three Screw	254-2007
	Latch/Catch Assembly , Four Screw	254-2021
45	Latch Cover	21-1024-A
46	Door Gasket , Oven	254-1013
	Door Gasket, Proofer.....	70-0358-A

Oven Interior Components - -

51	Oven Blower Wheel *	50-0444
52	Element Cover	21-0452-Q
53	Oven Side Wall Assy:	
	Right	21-0414
	Left	21-0415

* Supplied with MOTOR and MOTOR MOUNT in Kit #250-1002.

Proofer Interior Components - -

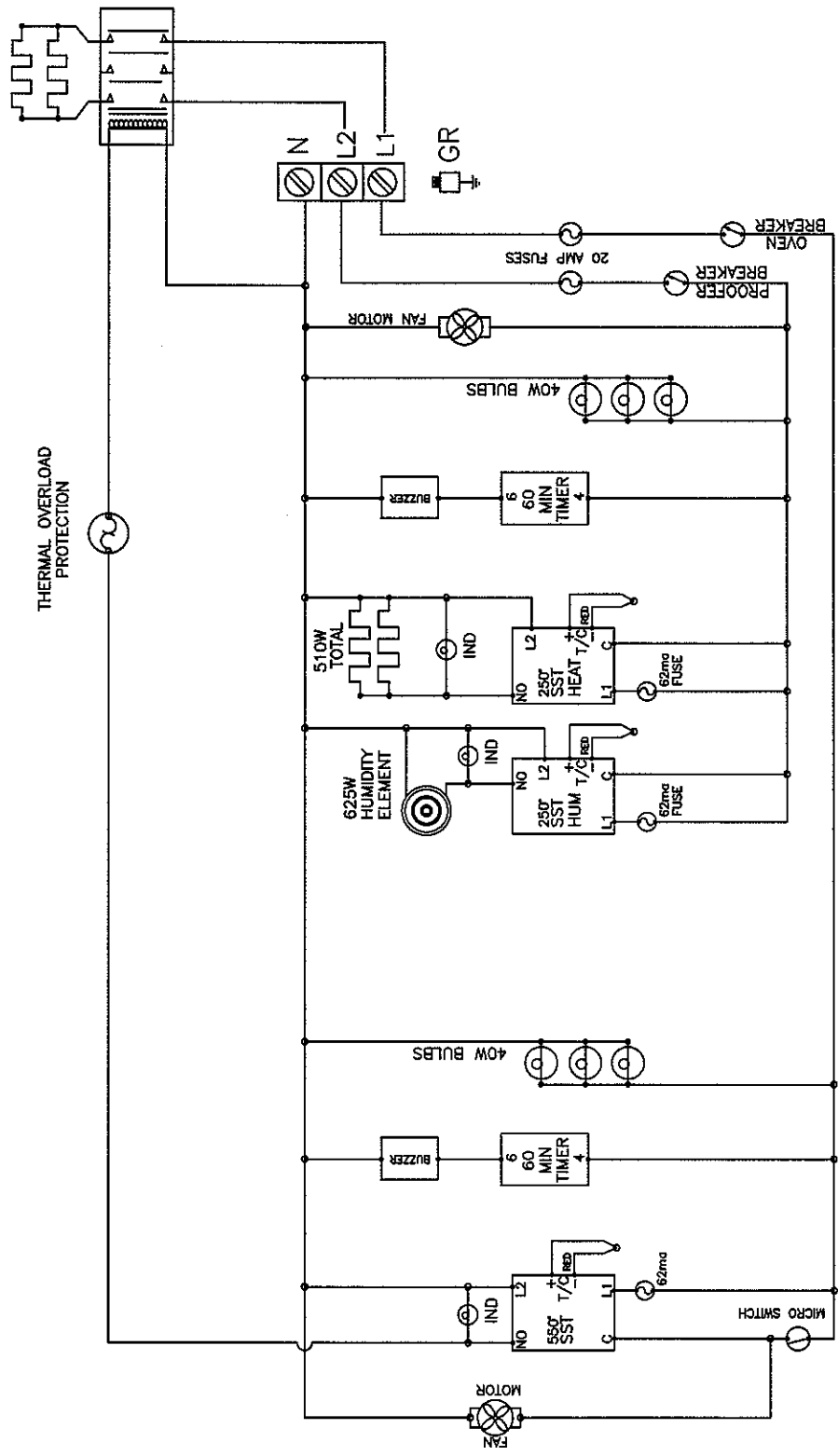
61	Proofer Fan Blade †	50-0367
62	Element Cover:	
	Manual Fill (Use w/ 50-0074)	21-3014-C
	Manual Fill (Use w/ 50-0072)	21-1037-C
	AUTOMIST	21-8036
63	Side Rack/Ladder:	
	Light side	21-3016-A
	Non-Light side	21-1013-I
64	Water Pan, Manual Fill only (6"x12")	50-0074
	Water Pan, Manual Fill only (10"x12")	50-0072
65	Shelf	112-0059-B
†	Supplied with MOTOR and MOTOR MOUNT in Kit #250-2004.	

General Exterior Components - -

71	Outside Top	21-1085-C
72	Motor Cover	21-8024
73	Oven Control Access Panel:	
	Right Side	21-1034-E
	Left Side	21-1134
74	Proofer Control Access Panel:	
	Right Side	21-1035-A
	Left Side	21-1135-B
75	Mounting Bracket	21-0310-B
76	Side Access Panel	21-0600-M
77	Caster	50-0058
78	Water Fitting	31-0058
79	Micro Switch Cover Plate	98-0103-A
80	Drain Pan	50-0547

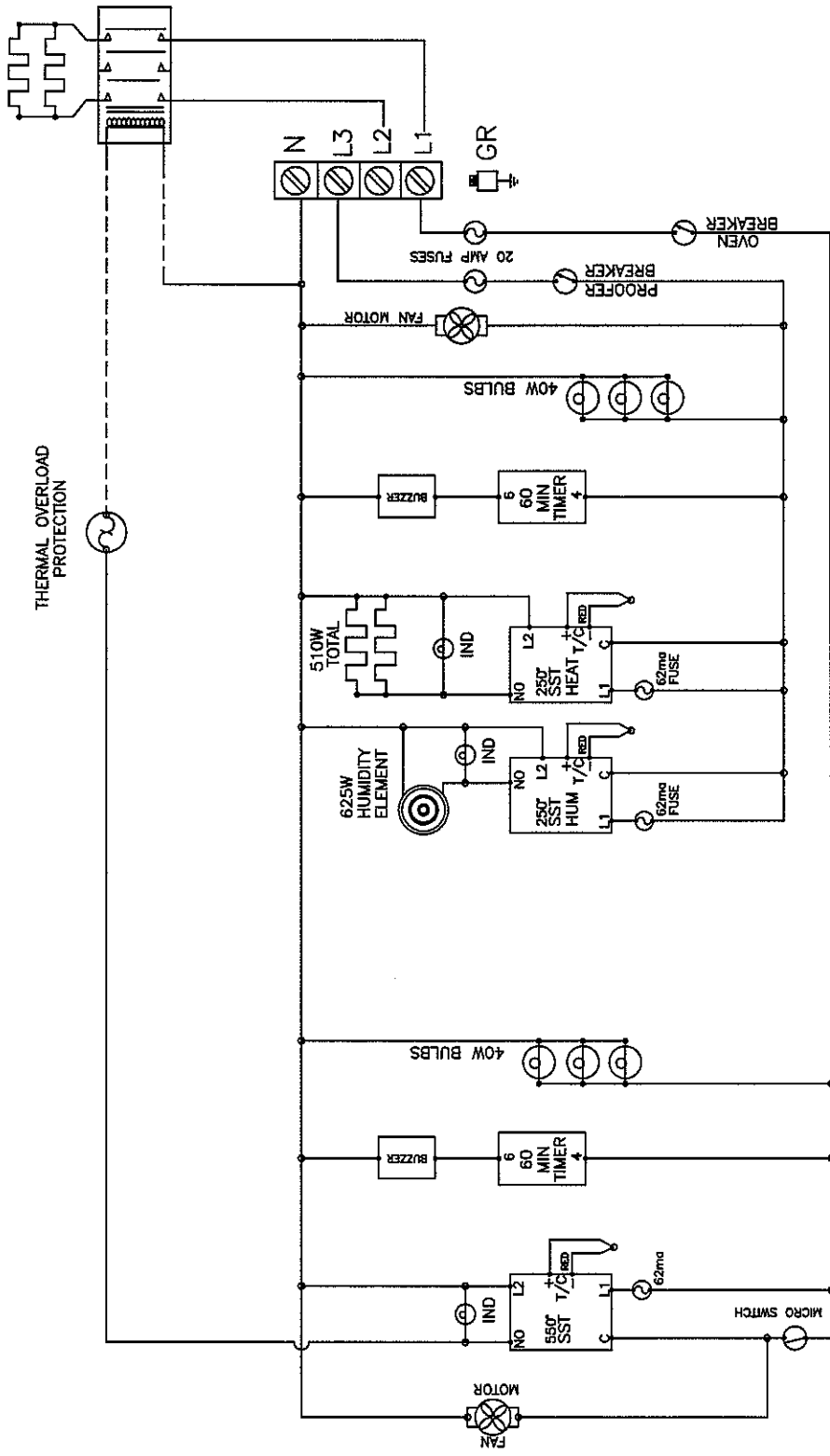
AUTOMIST Option Components - -

81	Humidity Control	252-3003
82	Humidity Control Indicator Light	50-0029-A
83	Repeat Cycle Timer	66-8012
	Replacement Potentiometer for Repeat Cycle Timer	252-3003
84	Solenoid Valve	50-0308-1
85	Humidity Injection Nozzle	31-0033
86	Blower Wheel (6" Aluminum Squirrel Cage) ‡	50-0362-B
87	Proofer Heating Element (120 volt 600 watt)	60-0002-1
‡	Supplied with MOTOR and MOTOR MOUNT in Kit #250-2010.	



THERMAL OVERLOAD PROTECTION

NUVU Food Service Systems 5600 13th STREET MEMONIEE, MICHIGAN 48858	REV: E	DESCRIPTION	CHANGED BY TEZ	VOLTAGE: 120/208-240	MODEL #: OP-2FM
	DATE	CHECKED: DATE: 7-31-00	WATTAGE:	PHASE: SINGLE	CUSTOMER SUBWAY
			BOM FILE #	CONTROLS: SOLID STATE	MANUAL FILL
					DWG. NO. 121-D0091



MODEL #: OP-2FM
 CUSTOMER SUBWAY
 MANUAL FILL
 DWG. NO. 121-D0103

VOLTAGE: 120/208-240
 PHASE: THREE
 WATTAGE:
 CONTROLS: SOLID STATE

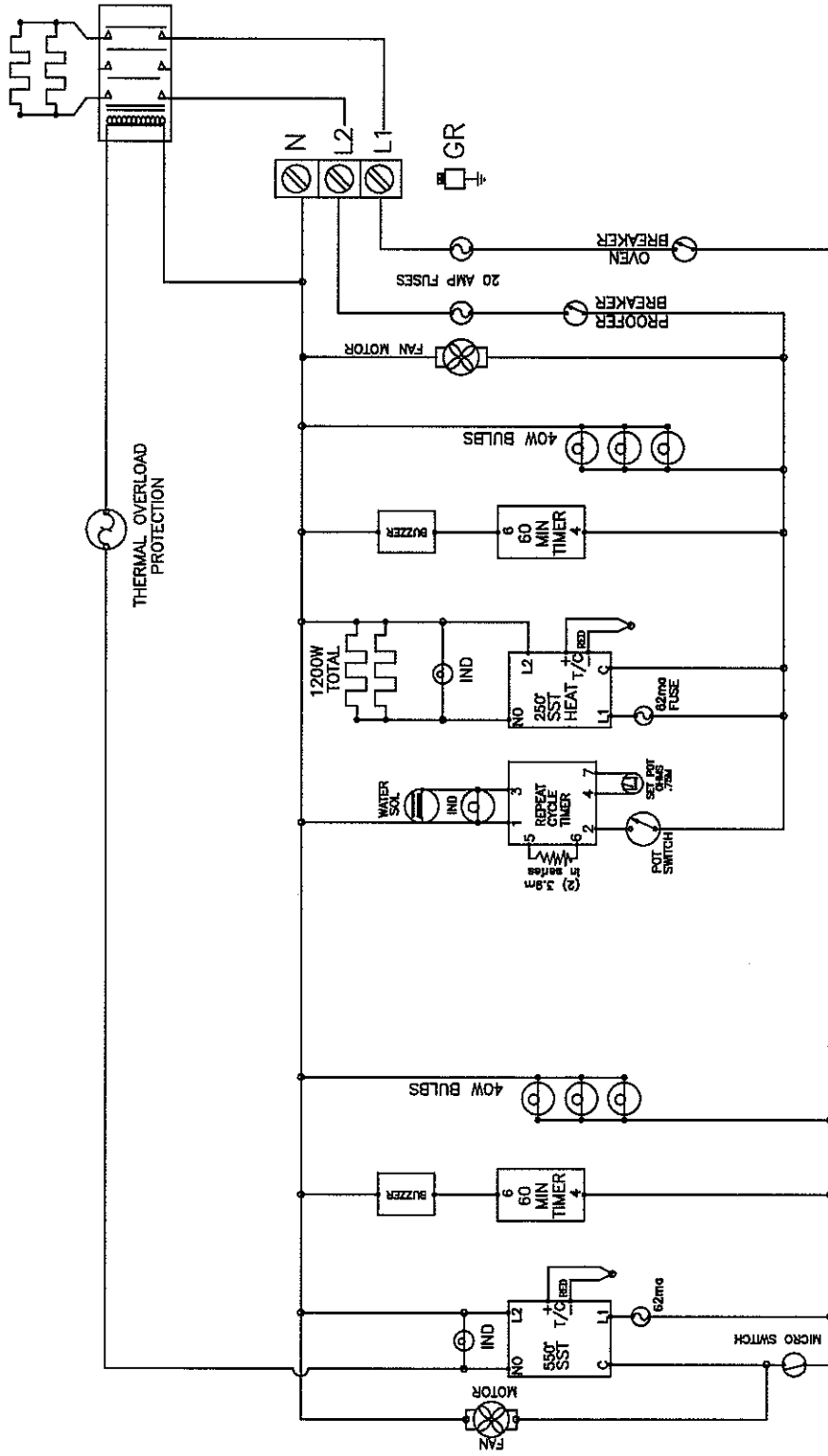
CHANGED BY: TEZ
 CHECKED:
 DATE: 7-31-00
 BOM FILE #

DESCRIPTION

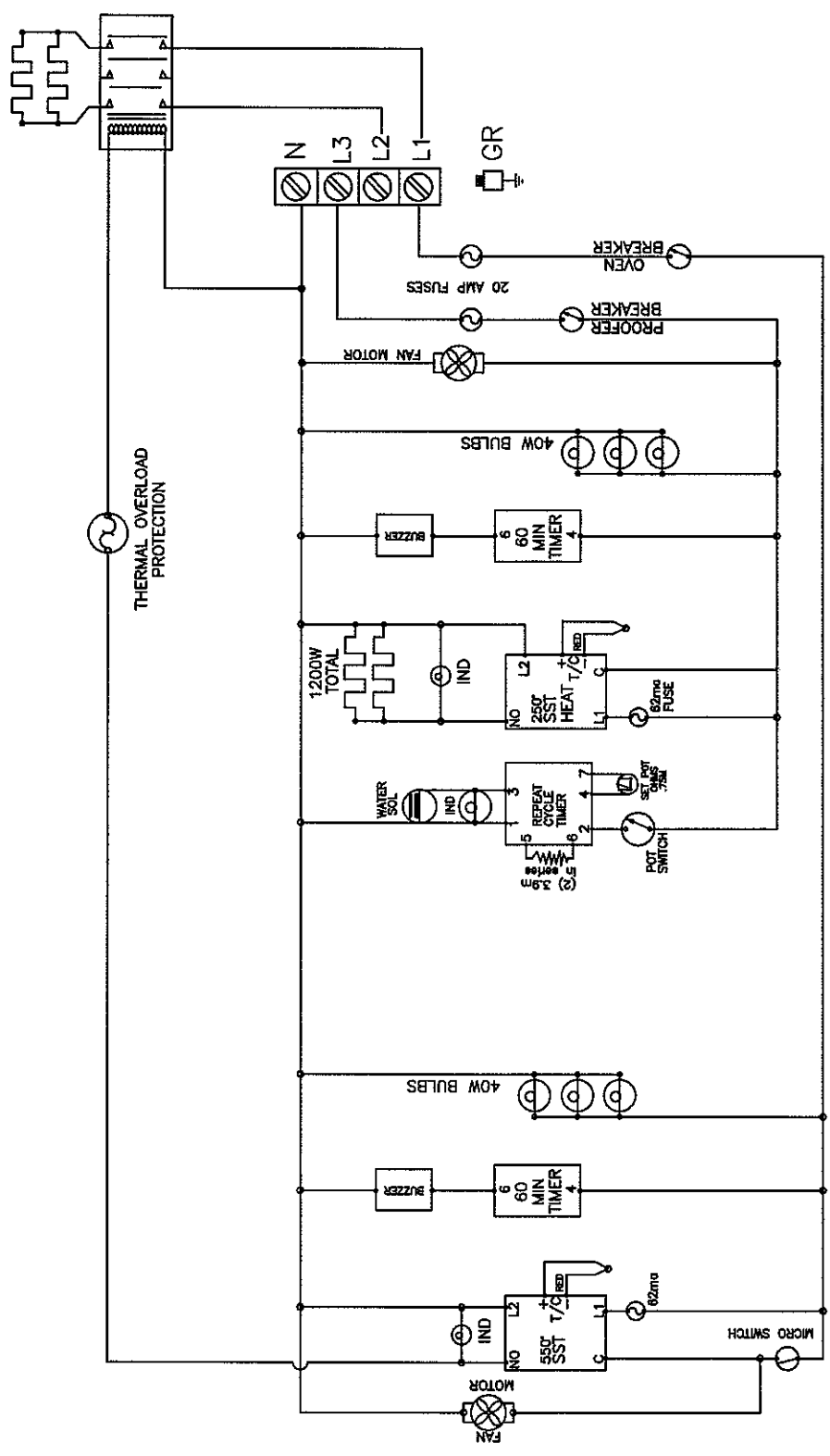
REV: E

NU-VU Food Service Systems
 5800 13th STREET
 MENOMINEE, MICHIGAN 49858





NWU NWU-VU Food Service Systems 5600 13th STREET MENOMINEE, MICHIGAN 49858	REV: E	DESCRIPTION:	CHANGED BY: TEZ CHECKED:	VOLTAGE: 120/208-240 PHASE: SINGLE WATTAGE:	MODEL # OP-2FM CUSTOMER SUBWAY AUTOMIST DIV.G. NO. 121-D0111
	DATE:	DATE: 8-23-00	BOM FILE #	CONTROLS: SOLID STATE	



NWU NU-VU Food Service Systems 5600 13th STREET MENOMINEE, MICHIGAN 49858	REV: E	DESCRIPTION	CHANGED BY: TEZ	VOLTAGE: 120/208-240	MODEL # OP-2FM
		DATE	CHECKED:	PHASE: THREE	CUSTOMER SUBWAY
			DATE: 8-23-00	WATTAGE:	AUTOMIST
			BOM FILE #	CONTROLS: SOLID STATE	DWG. NO. 121-D0093