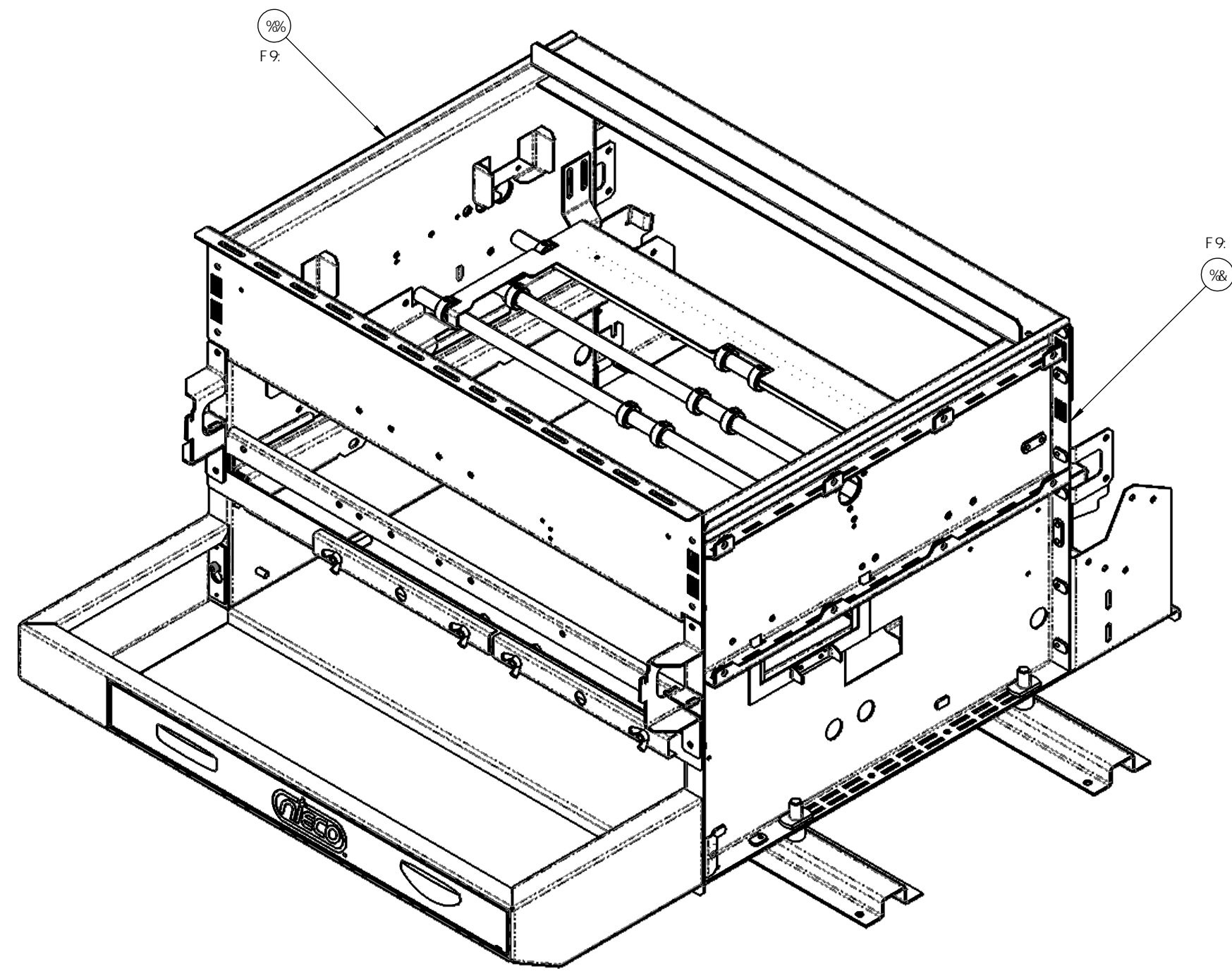


REVISIONS					
ECR	ZONE	REV.	DESCRIPTION	DATE	APPROVED
		A	INITIAL RELEASE	8-1-16	KK/CJ
3454		B	REMOVED 2X 22757 ADDED 4X 21192	3-6-18	JP



&	&*, '-	<5HG97 HC BZG5B8Z> Z5; 5Z (&%)	' \$
%	&)- *	9B7 @G F9Z6I B'69@H9LH&")": F5A 9'5 GGM	&-
&	&)- +\$	G7 F9K Z<)#% "L'%"#("G-C1 @9FZG7 <Z%#(!&ZGG	&
%	&' &\$	F9: @97 HC FZ5 F'6CLZ&,"): F5A 9Z> Z; 6; '!K @BA H	&+
&	&' %%%	6F57?9H2H9BGC B-B; ZFC 8'69@H>	&*
%	&' \$%	G< 9@8Z5 F#6I FB9FZ: FC BHE&")": F5A 9Z>	&
%	&' %%%	6F57?9H2A H ZG7 F5D9F#DH 9Z&,"): F5A 9	&(
%	&' \$\$+	6F57?9H2&,"): F5A 9Z> !; ZF95F!K @BA H	&
%	&' \$\$	6F57?9H2: FC BHE@H&,") mK F5A 9Z> !K @BA H	&&
%	&' \$\$\$	65G9D@H9Z&,") mK F5A 9Z> Z: H!K @BA H	&%
%	&+&\$*	6F57?9H2G< 9@8Z8CC FZ< !6I FB9FZ: @C K 'H-FI	&\$
%	&+&\$)	6F57?9H2G< 9@8Z8CC H#< !6I FB9FZ: @C K 'H-FI	%
&	&+&\$&	G DDC FHE695F-B; Z8F# 9G<5: HZA 95H69@H	%
%	&+&\$%	G DDC FHE6I B'G@89# 95F'A C HCFZF# <H	%+
%	&+&\$	G DDC FHE6I B'G@89# F95G97 <I HZ@; H	%*
&	&% -'	7 @5A DZDH 9'G< 99H>	%@
%	&% - &	6F57?9H2GF @D9F'6@89#D5HMD5B !F# <H	%(
%	&% - \$	6F57?9H2GF @D9F'6@89#D5HMD5B !@; H	%
%	&% ,	G89D@5H9K #D@5H9BZ> !; !F# <H!K @BA H	%&
%	&% +'	G89D@5H9K #D@5H9BZ> !; !@; H!K @BA H	%%
(&% &	6C @H<<Z%#&!% 'L'ZD@H9B	%\$
(&\$, %	QD57 9F ZG5B8Z' #("H5 @	-
%	&\$' \$%	6F57?9H2: 9989F'G DDC FHE> ZF# <H	,
%	&\$' \$\$	6F57?9H2: 9989F'G DDC FHE> Z@; H	+
'	%*, -	FC 8Z7 FC GG'G DDC FH!""* "L'&,")	*
%	*' \$\$	FC 8Z7 FC GG'G DDC FHE) #, "L'&*", +))
%*	* \$&	7C @@5F ZG9H2<) #, '6C F9	(
() - &	BI H?9DGZ) #%	'
() + *	A 57 <B 9G7 F9K Z<<Z) #%!% 'L' %ZGGH	&
() * (BI HK -B;) #%	%
E HM	D5 FH,	89G7 F-DHC B	#PA

I B@GGC H'9K @9 @97 @ 98Z8A G5F9 B' B7 <9G	85H9	B5A 9		F5-E& (1+85 F5-E& (1+1'S: 5L K @89D F75)-(L-)-(-)	H-6BC7IA 9BH6H-9DFC D9F HMC: B 97C 7C FDC F6HEB' F9DFC B1 7HC B CF F985D9E-HC I H9LDF9G D9FA 6GC B'6DFC <6H98"
HC @F5B7 9G	8F5K B	??#7 >			
: F57HC B5@±%# &	GA @5F HC	&' \$\$\$			
5B: I @5F. ±%	K 9# <H	%&(") + @G"	D#B :	&*, (\$	F9J.
HK C D@57 9897 A 5@'±\$*					6
H:F99D@57 9897 A 5@'±\$*					

H#@ : F5A 9'5 GG9A 6@M&,") mK @@5H9B Z< 98Z5; 5

A 5H9F-5@ G99'D5FHG@GH : B @<. 6I FF'G5B85F8'7 @5GG"6" G7 5@. %%% G< 99H% C : &

