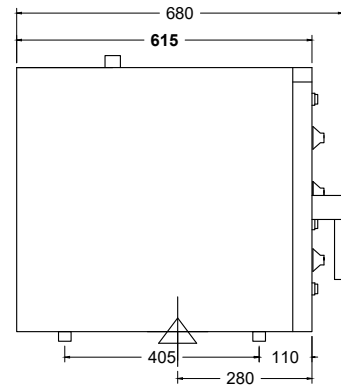
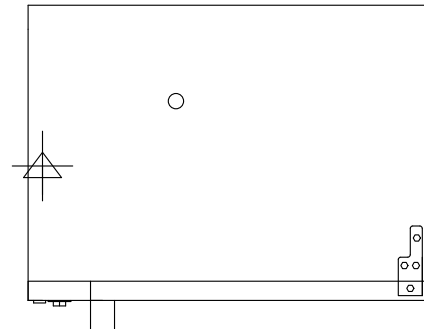



FRONT VIEW

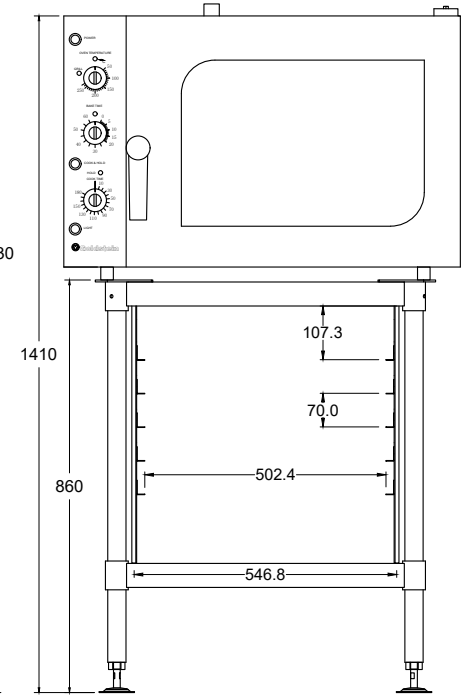
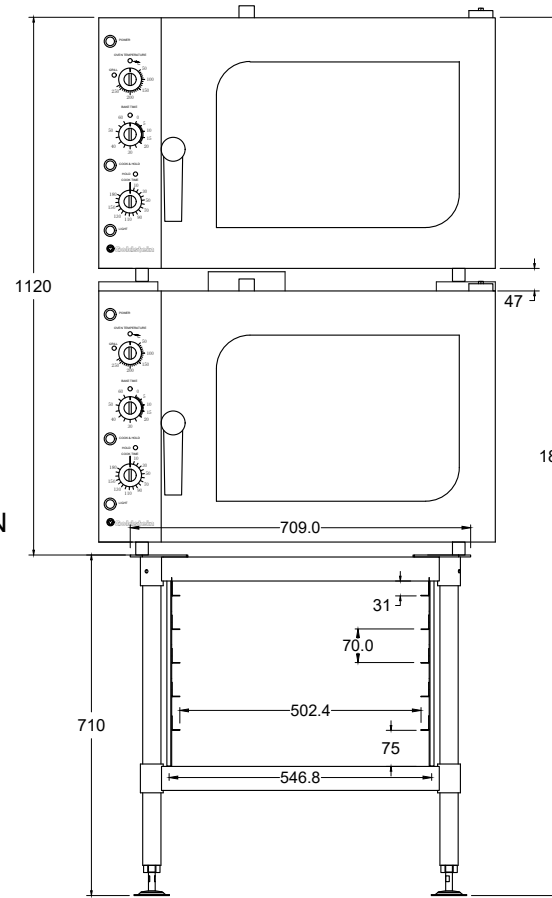



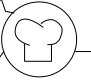
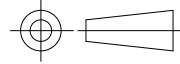
SIDE VIEW



TOP VIEW

 ELECTRICAL CONNECTION  
240V/15A PLUG (3.2Kw)



					MATERIAL	1	 <b>Goldstein</b>  <b>ESWOOD</b>					
					MATERIAL TYPE	PRINT DRAWING ONLY						
					BLANK SIZE X	1						
					BLANK SIZE Y	1						
					QTY PER BLANK	1						
					GRAIN DIRECTION	-	ELEC. CONVECTION OVEN					
					TOLERANCES ON DIMENSION UNLESS OTHERWISE SPECIFIED WHOLE mm: ±0.5 ANGULAR: ±1°		<b>EZYBAKE MKII INSTALLATION</b>					
No	ISSUE DESCRIPTION	DATE	BY	BARCODE					DATE	CHECKED	SCALE	DRAWING No
①	Add two Stand Views	30.4.15	Wing						20.11.14	√	1:15	EZ26-STACK
PR06A05					ISSUE	01	DRAWN BY:	J.G				