

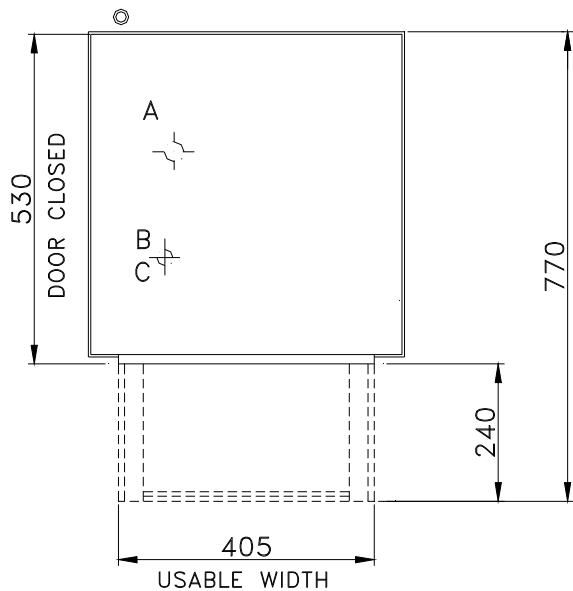
CONTENT:

	Page
1. Wiring Diagram E-808 Installation Drawing I-CI3B0	
2. Door Assembly..... Front Panel	1
3. Rack Guide Assembly..... Drain	2
4. Upper/Lower Rinse System..... Booster Tank Assembly	3
5. Vacuum Breaker Assembly..... Solenoid Valve	4
6. Control Panel-Electricals.....	5
7. Index.....	6 & 7

CI-3B
DISHWASHER
(NEW TIMER)

FROM SERIAL No. 24175

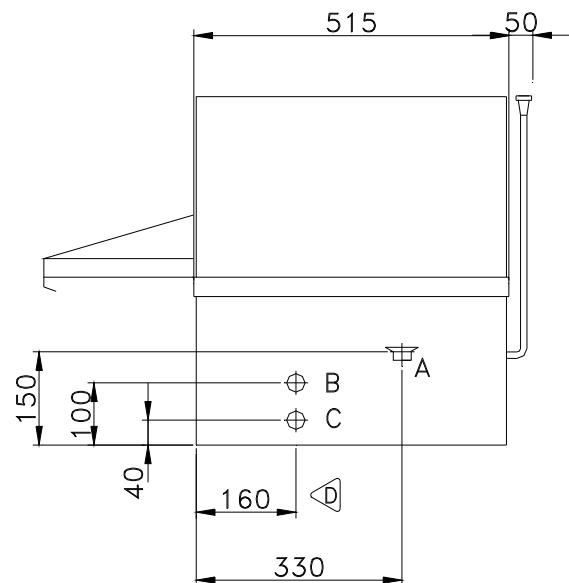
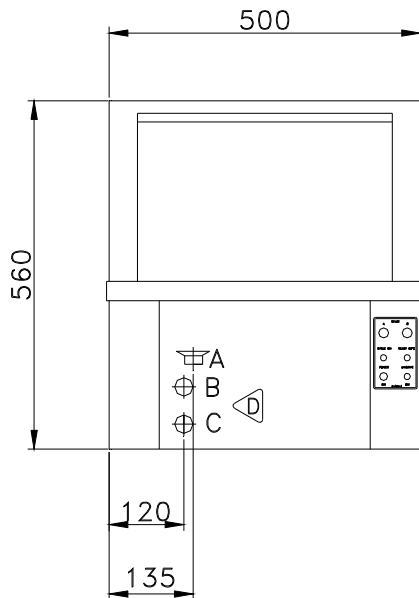
I-CI3B0



- A. Drain 2" BSP
- B. Hot Water Supply
3/8" B.S.P. 65°C
at 37-60 psi (260 to 420 kPa)
- C. Cold Water Supply
3/8" B.S.P. 37-60 psi (260 to 420 kPa)
(Cold Cycle Option)
- D. Electrical connection
15 amp lead with single
phase plug



NOTE: If cold option not required connect Hot Water Supply to C also.



ESWOOD AUST. PTY. LTD. RESERVES THE RIGHT TO CHANGE OR VARY DIMENSIONS AND INFORMATION CONTAINED WITHIN THIS DRAWING IN ACCORDANCE WITH PRODUCT DEVELOPMENT AND RE-DESIGN.

D	NEW POSITION FOR COLD/HOT SUPPLY	04.07.00	L.R.
C	DIMS. CHECKED	04.05.00	L.R.
B	REDRAWN(SCALE + DIM.OK)	23.3.99	L.R.
A	WAS RINSE,NOW CYCLE	25.5.98	H.R.

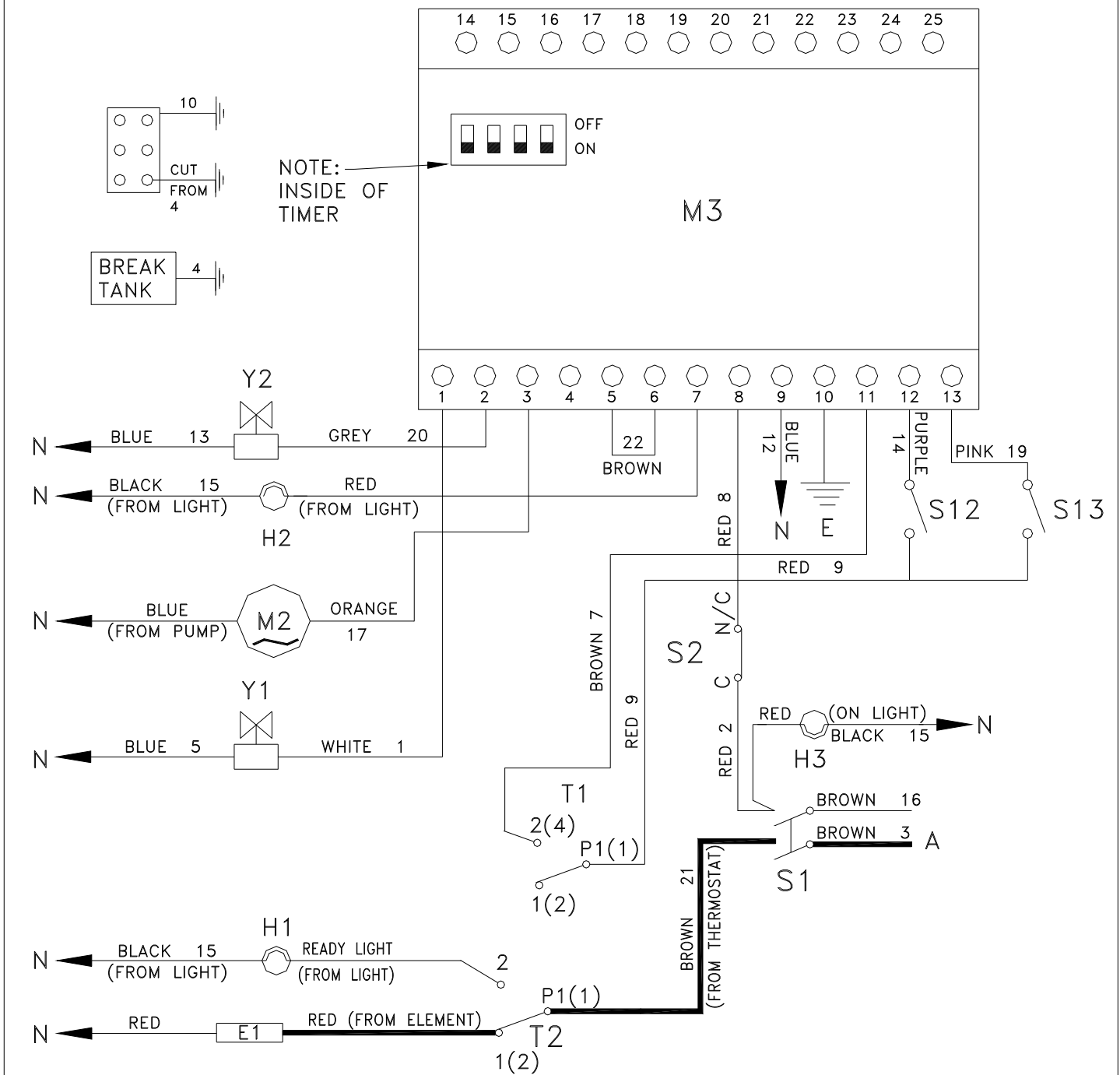
REV	DESCRIPTION	DATE	BY
-----	-------------	------	----

ESWOOD AUST. PTY. LTD.

Description.

INSTALLATION DRAWING

Model.	Date.	Scale.	Drawing No.	
CI-3B	15.9.94	1:11.7	I-CI3B0	
		Drn.		Chkd.
		Lederer		



ESWOOD AUST. PTY. LTD.

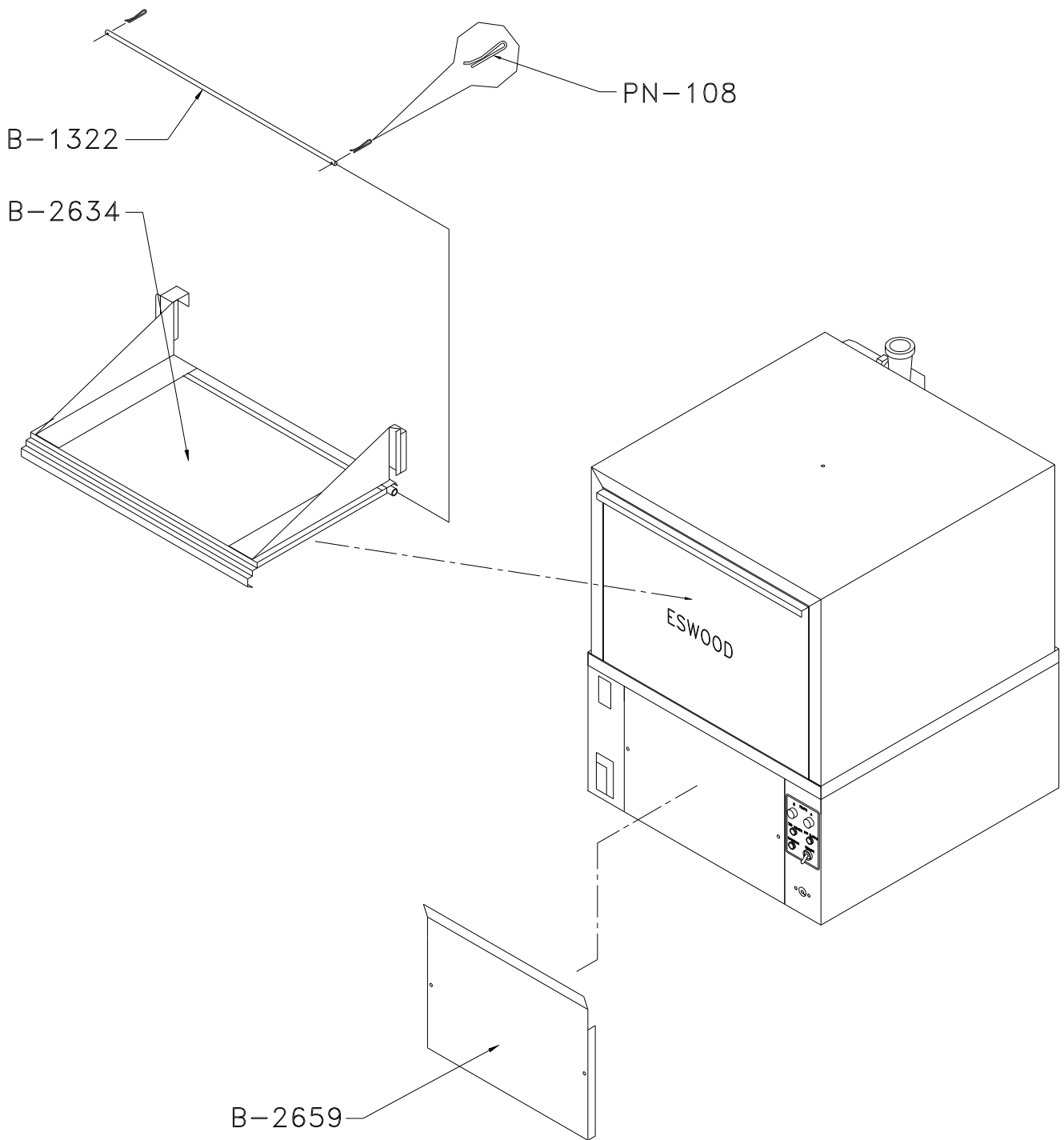
Description.

WIRING DIAGRAM

C1	CAPACITOR 6.3uF	S2	DOOR SWITCH
E1	ELEMENT 3kW	S12	HOT/COLD CYCLE
H1	READY LIGHT	S13	HOT SWITCH BUTTON
H2	CYCLE LIGHT	T1	THERMO. TEMP. CUT-OUT
H3	POWER ON LIGHT	T2	THERMOSTAT-ELEMENT
M2	DETERGENT PUMP	Y1	HOT SOLENOID VALVE
M3	TIMER	Y2	COLD SOLENOID VALVE
S1	POWER ON SWITCH		

Model.	Date.	Scale.	Drawing No.
C1-3	23.05.00	NTS	E-808
	Drn.	Chkd.	
	L.R.		

CI-3



ESWOOD AUSTRALIA PTY.LTD

REVISION: 0

NOTE:

ISSUE: A

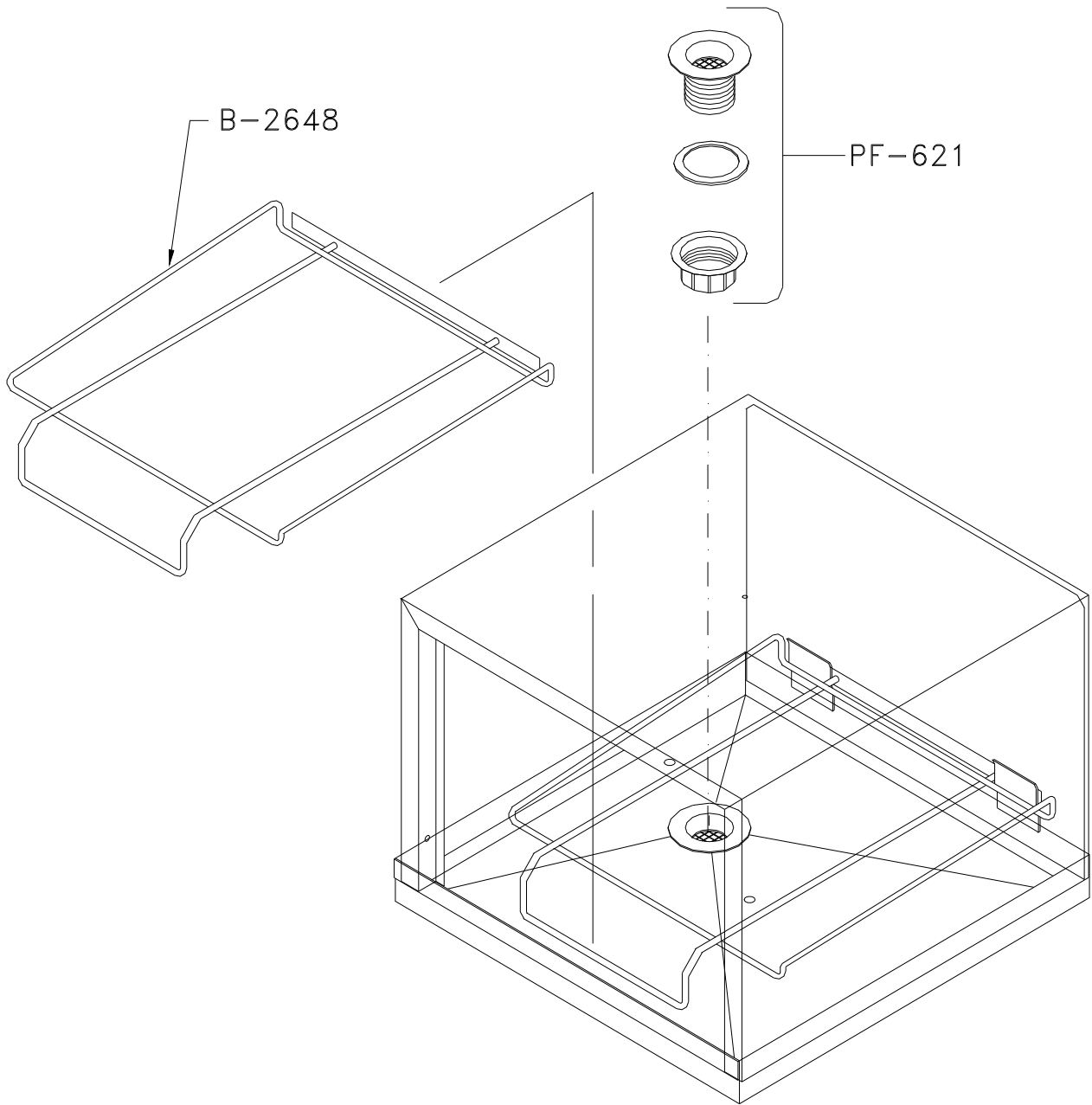
DATE: 25.07.00

FROM SERIAL No. 24175

DRAWN: ROA

1

CI-3



ESWOOD AUSTRALIA PTY.LTD

REVISION: 0

NOTE:

ISSUE: A

DATE: 25.07.00

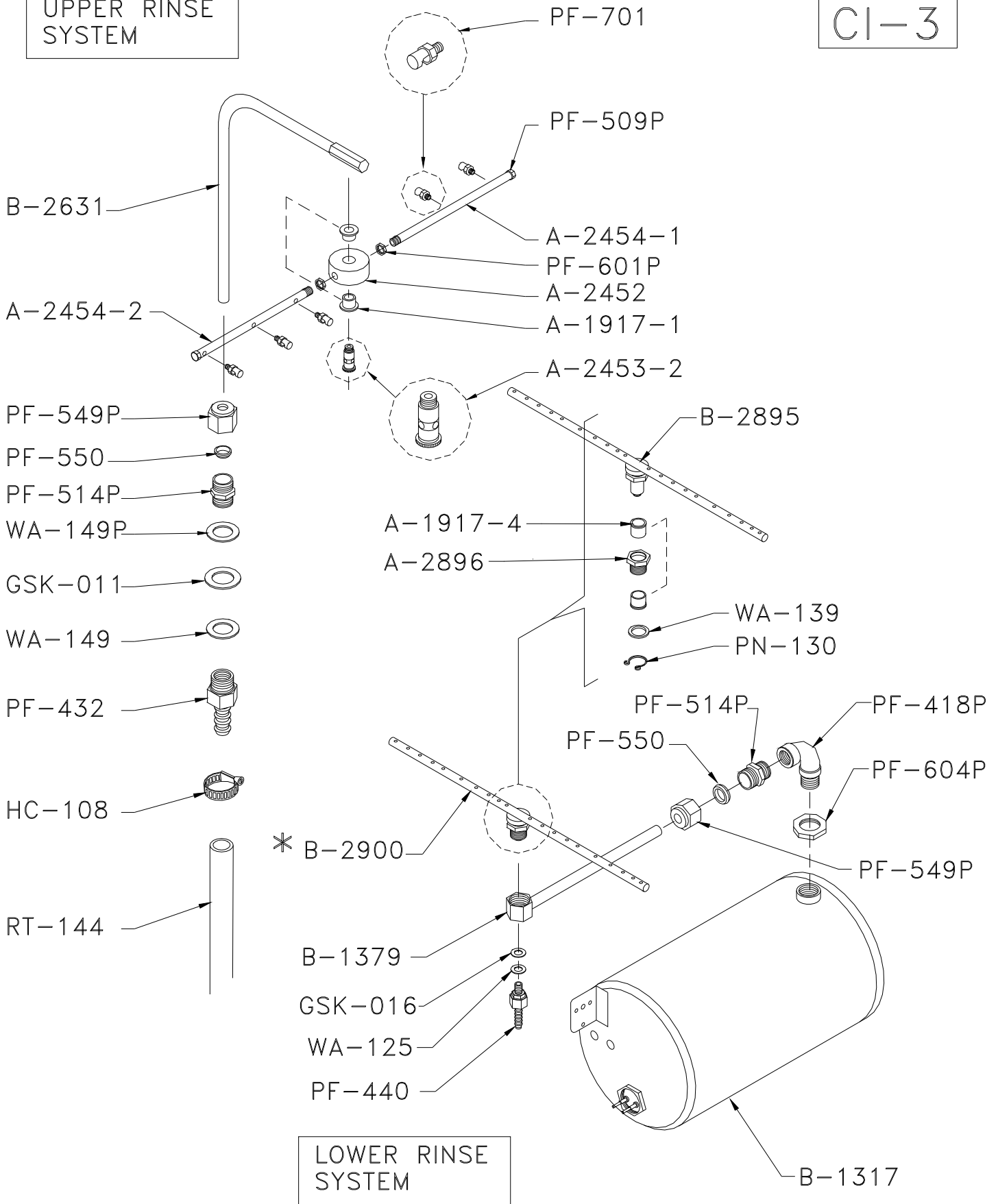
FROM SERIAL No. 24175

2

DRAWN: ROA

UPPER RINSE SYSTEM

CI-3



LOWER RINSE SYSTEM

ESWOOD AUSTRALIA PTY.LTD

REVISION: 1

NOTE: (*) NEW WASH ARM

ISSUE: A

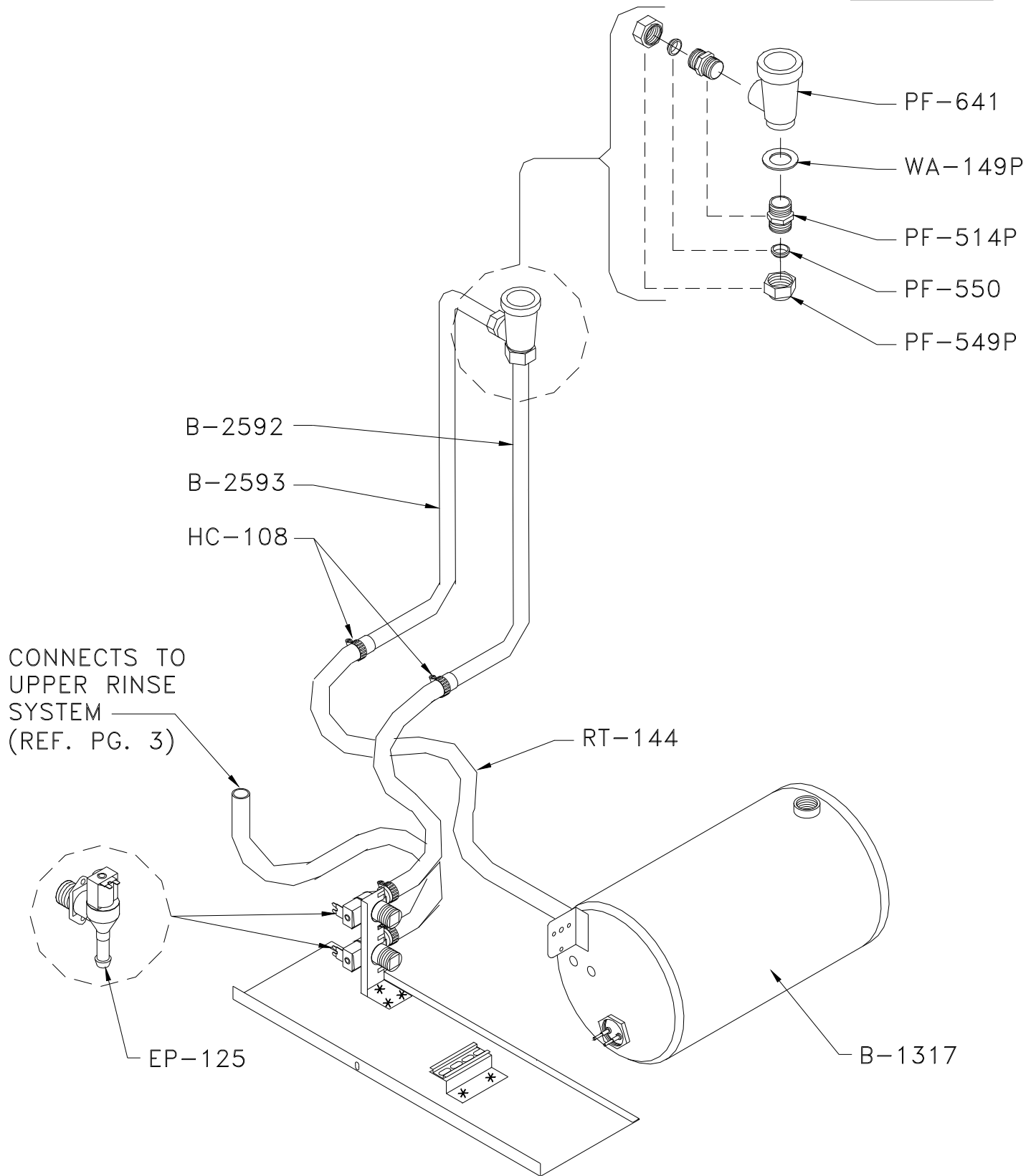
DATE: 25.11.00

FROM SERIAL No. 26364

3

DRAWN: ROA

CI-3



CONNECTS TO
UPPER RINSE
SYSTEM
(REF. PG. 3)

ESWOOD AUSTRALIA PTY.LTD

REVISION: 0

NOTE:

ISSUE: A

DATE: 25.07.00

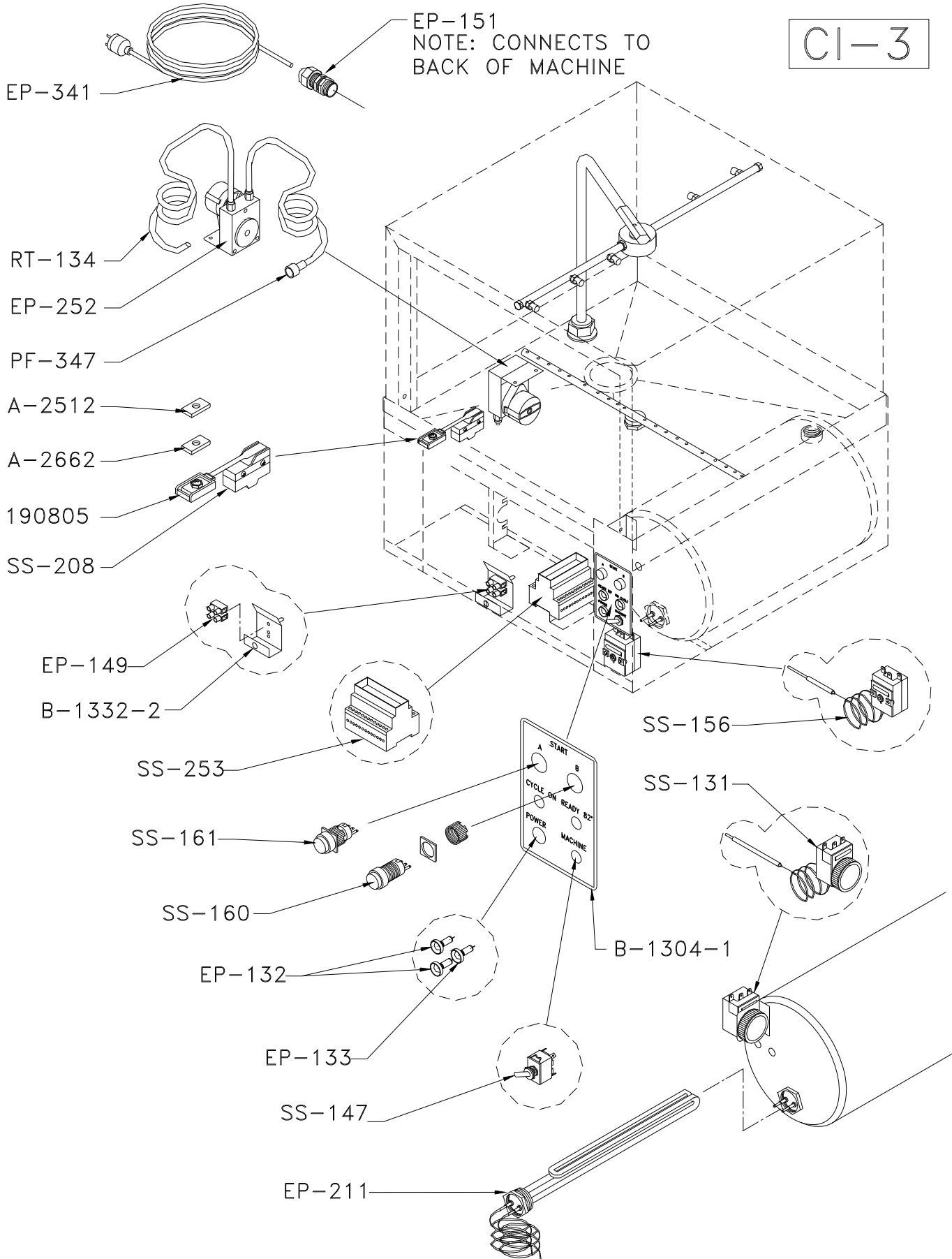
FROM SERIAL No. 24175

DRAWN: ROA

4

CI-3

EP-151
NOTE: CONNECTS TO
BACK OF MACHINE



ESWOOD AUSTRALIA PTY.LTD

REVISION: 0

NOTE:

ISSUE: A

DATE: 25.07.00

FROM SERIAL No. 24175

5

DRAWN: ROA

CI-3

(NEW TIMER)

PART No.	DESCRIPTION	REMARKS
190805	MAGNET HOUSING	REF. Pg 5
A-1917-1	RINSE ARM BUSH	REF. Pg 3
A-1917-4	BUSH	REF. Pg 3
A-2452	DISC-RINSE ARM	REF. Pg 3
A-2453-2	BEARING PIN-RINSE ARM	REF. Pg 3
A-2454-1	RINSE ARM (2 JET)	REF. Pg 3
A-2454-2	RINSE ARM (3 JET)	REF. Pg 3
A-2512	DOOR MAGNET	REF. Pg 5
A-2662	COUNTER WEIGHT-DOOR SWITCH	REF. Pg 5
A-2896	PIVOT BEARING WASH ARM	REF. Pg 3
B-1304-1	ESCUTCHEON	REF. Pg 5
B-1317	BOOSTER TANK ASSEMBLY	REF. Pg 3
B-1322	DOOR HINGE ROD	REF. Pg 1
B-1332-2	TERMINAL BRACKET	REF. Pg 5
B-1379	DISCHARGE TUBE	REF. Pg 3
B-2592	PIPE INLET AVB	REF. Pg 4
B-2593	PIPE OUTLET AVB	REF. Pg 4
B-2631	UPPER RINSE PIPE	REF. Pg 3
B-2634	DOOR ASSEMBLY	REF. Pg 1
B-2648	RACK GUIDE ASSEMBLY	REF. Pg 2
B-2659	FRONT PANEL	REF. Pg 1
B-2895	WASH TUBE & BODY ASSEMBLY	REF. Pg 3
B-2900	WASH ARM ASSEMBLY	REF. Pg 3
EP-132	LUMOLITE (RED)	REF. Pg 5
EP-133	LUMOLITE (AMBER)	REF. Pg 5
EP-149	TERMINAL BLOCK 15AMP	REF. Pg 5
EP-151	CABLE GLAND 16mm	REF. Pg 5
EP-211	ELEMENT 3.0 Kw	REF. Pg 5
EP-252	DETERGENT PUMP	REF. Pg 5
EP-341	PLUG & LEAD 15 AMP	REF. Pg 5
GSK-011	GASKET NO. 11	REF. Pg 3
GSK-016	GSK-016	REF. Pg 3
HC-108	HOSE CLAMP	REF. Pg 3 & 4
PF-347	FILTER VALVE	REF. Pg 5
PF-418P	ELBOW ½"-CHROME	REF. Pg 3
PF-440	HOSE BARB (NON RETURN VALVE)	REF. Pg 3
PF-509P	3/8" CAP-CHROME	REF. Pg 3
PF-514P	½" HEX NIPPLE-CHROME	REF. Pg 3 & 4
PF-549P	KINCO NUT ½" CHROME	REF. Pg 3 & 4
PF-550	OLIVE	REF. Pg 3 & 4
PF-601P	BACKNUT 1/8"-CHROME	REF. Pg 3
PF-604P	BACKNUT ½"-CHROME	REF. Pg 3
PF-621	PLASTIC WASTE 2"	REF. Pg 2
PF-641	VACUUM BREAKER	REF. Pg 4
PF-701	RINSE JET	REF. Pg 3
PN-108	SNAP PIN "R" CLIP	REF. Pg 1
PN-130	CIRCLIP	REF. Pg 3
RT-134	5mm CLEAR TUBE	REF. Pg 5
RT-144	½" ORTAC HOSE	REF. Pg 3

SS-131	THERMOSTAT	REF. Pg 5
SS-147	TOGGLE SWITCH 15AMP	REF. Pg 5
SS-156	THERMOSTAT	REF. Pg 5
SS-160	PUSH BUTTON(BLUE)	REF. Pg 5
SS-161	PUSH BUTTON(RED)	REF. Pg 5
SS-208	MICRO SWITCH-LEVER TYPE	REF. Pg 5
SS-253	TIMER	REF. Pg 5
WA-125	WASHER	REF. Pg 3
WA-139	WASHER	REF. Pg 3
WA-149	½" WASHER	REF. Pg 3 & 4
WA-149P	WASHER	REF. Pg 3