



**EQUIPMENT MANUAL
FOR
IW-3N COMPACT GLASS WASHER**



NOVEMBER 2008



TABLE OF CONTENTS



	Page No.
1. Important: Prior to Installation	3
2. General Description	4
3. Technical Specifications	5
4. Installation	6
5. Initial Start-up Procedure	7
6. Washing Operation	8
7. Shutdown and Maintenance	9
8. Trouble Shooting	10 - 11
9. Wiring Diagram	12
10. Spare Parts List	13 -14
11. Drawing	15 -16
12. Branches	17



IMPORTANT: PRIOR TO INSTALLATION

1

Installation must be carried out according to local regulations by qualified trade persons. Isolating switch(es), shut-off valves etc must be within easy reach of the machine for future service and maintenance requirements. If in doubt call ESWOOD AUSTRALIA or their representative for further information. No responsibility will be accepted for defects or damages by improper installation, for changes to the product not authorised by ESWOOD AUSTRALIA, or for operation outside the technical specifications.

ESWOOD AUSTRALIA warrants their products to be free from defects in material and workmanship under "normal use and service". This does not include normal wear and tear of parts. ESWOOD AUSTRALIA will repair or replace any parts, which in ESWOOD AUSTRALIA's sole judgement are defective in material or workmanship, in accordance with the warranty offered.

This undertaking covers the provision of labour and parts for 12 months from the date of delivery to the purchaser. This undertaking applies only to state capitals. Remote areas are not covered by this commitment and special enquires should be made. (**Note: Travel time not covered by warranty**)

In no event will ESWOOD AUSTRALIA be liable for loss of facilities or other property and such things as, but not limited to, additional labour costs, loss of revenue or anticipated profits, and other damages of any kind whether direct, indirect, incidental or consequential.

Labour under warranty is supplied free of charge during normal working hours, Monday to Friday. Should warranty work be requested outside of our normal working hours a labour charge will be applied equivalent to a normal hour rate without out of hours penalty rates. (Refer to last page of this manual for your closest branch for Warranty repair services)

Note: It is the responsibility of the owner to ensure the water feed to Eswood Dish and Glass washers is of a quality that will not form excessive build up of calcium and other dissolved minerals on the heating elements. Premature failure of heating elements that exhibit this cause of failure will not be covered under warranty.



GENERAL DESCRIPTION

2

Performance to Match Your Needs: With a capacity to hygienically wash 1800 glasses per hour, the IW-3 professional glass washer is the perfect choice for your bar or cafe. For the hustle and bustle of a cocktail or lounge bar, the IW-3 provides the additional efficiency and practicality of a selectable cold or hot cycle after the final sanitising rinse.

Convenient Rack Size: The large wash chamber has been designed to accommodate 17" x 14", 400 x 400mm and 14" x 14" glass racks, and the true chamber clearance of 295mm accepts tall jugs and glasses. An impact resistant 430 x 360mm nylon coated wire glass rack is supplied as standard.

Wash with Cooling Cycle: Simply select the cycle & press the Start button. This cycle is particularly useful for glasses that are to be placed in a chiller, or can be used to cool down glasses for a faster turn-around.

Convenient Design: The door is designed to provide a safe, convenient and comfortable height for loading and unloading with minimal bending. Safety is also assured thanks to a switch on the door that prevents the machine from operating with the door open.

Powerful Wash System: Eswood's powerful wash system combines multiple jets on a rotating Upper and Lower wash arms to produce a fast yet spotless wash and rinse every time using 82°C fresh water wash for hygienic results.

Hot Water Break Tank Heater: Automatic water temperature monitoring and a powerful insulated booster heater ensure that correct water temperature is maintained for hygiene and optimum cycle times during continuous use.

Easy Low Cost Installation: Simply connect the hot and cold water supplies, plug the cord into a 15 Amp power point, and connect the trap to the drain outlet.

Quality, Reliability and Performance: Eswood has a reputation for product reliability that is second to none. The finest of stainless steel and durable synthetic materials are used, and all Eswood products are fully guaranteed and backed by a national support network.



TECHNICAL SPECIFICATIONS

3

Machine Specifications

Net Weight	40kg
Washing Capacity	1800 glasses per hour
Cycle Time	Hot cycle 19 second wash/rinse
	Hot & cold cycle: 19 second wash/rinse
	19 second cooling.
Standard Equipment	430 x 360mm Nylon coated Wire Glass Rack

Wash Pump and Break Tank

Wash Pump	373 Watts
Break Tank Capacity	12 Litres
Break Tank Element	3 kW

Water Input and Consumption

Hot Water Input	65°C min @ 100-400 kPa, 3/4" B.S.P.
Cold Water Input	100 to 400 kPa, 3/4" B.S.P.
Drain Outlet	2" B.S.P. gravity fed
Hot Water only usage	7 Litres per cycle (Hot cycle)
Hot and Cold water usage	7 Litres hot water (Hot & cold cycle)
	2.5 Litres cold water
Wash/Rinse Temperature	82°C to 85°C

Electrical Input

Electrical Input	240V, 50Hz, 1 phase, 14 Amps max
------------------	----------------------------------



INSTALLATION

4

1. Remove the lower panel, position the machine and level by screwing the adjustable feet.
2. Connect the 2" B.S.P. gravity drain under the machine via a 2" trap to the drain outlet.
3. Connect the hot water supply to the $\frac{3}{4}$ " B.S.P. line strainer labelled "HOT". The hot water should be at a minimum of 65°C and between 100 to 400 kPa. A pressure reducing valve should be fitted for pressure above 400 kPa.
4. Connect the cold water supply to the $\frac{3}{4}$ " B.S.P. solenoid valve labelled "COLD". The cold water supply should be between 100 to 400kPa. A pressure reducing valve should be fitted for pressure above 400 kPa.
If your glassware is sensitive to temperature changes then we suggest that you do not use the cold water option and cap this solenoid valve instead.(instruction 4)

Do not make water or plumbing connections that will prevent the machine from being removed from position, for the purpose of servicing.

Note that all plumbing work is to be done in accordance with local plumbing codes.

5. Ensure that the power switch is "OFF" and connect the three pin plug lead to a 15 Amp, 240V, 50Hz, 1 phase power outlet.

Note that all electrical work is to be done in accordance with the rating plate on the lower panel.

6. The IW-3 comes standard with a detergent injection system that has already been factory calibrated.



IN RUN



INITIAL START-UP PROCEDURE

5

1. Open the hot and (if connected) cold water supplies to the machine. Turn the selector switch to either of the available cycles, and then turn the power on. The break tank will then fill with hot water. The red "Power On" light and the amber "Indicator Cycle" light will also illuminate.
2. Unwind the clear coiled detergent tube and place the free end in a container of commercial grade glass washing detergent. Use only products designed for commercial glass washing and in accordance with the manufacturers recommendations.
3. With the break tank full, set both thermostats so that the arrow on the dial lines up with the small fixing screw next to the dial.

Note that the machine is shipped with no water in the rinse cylinder and with the thermostats set to 0°C.

Note: that the heating element must be safely covered with water before the low temperature cut out is set. **Failure to observe the above may cause damage to the element which is not covered under warranty.**

The "low Temp Wait" light will illuminate and the machine will begin to heat the water to the required 82 degrees C. When the green "Ready" light illuminates, then the machine is ready for use.

4. Check that the door is closed.
5. Provide that the green "Ready" light is on, press the green button to start the machine. Whilst the machine is running, the amber "Indicator Cycle" light will flash.
6. Check that the correct final rinse (hot or cold) for the selected cycle has been sprayed into the chamber, by either feeling the temperature with the flat of a hand on the cabinet exterior, or checking the cabinet interior immediately the cycle has ended. Check the other cycle in the same way.
7. Check for leaks and refit the lower panel.



WASHING OPERATION

6

1. Check the level of detergent and replace when necessary. Dilute the detergent according to the manufacturers' recommendations, if required
2. Turn the power on and the red "Power On" pilot light will illuminate. It will take about 10-15 minutes for initial heating of water in the break tank.
3. Open the door, slide the rack in and close the door & select the cycle, Hot only or Hot & Cold.
4. With the "READY" pilot light on, push the Start button. While the machine is running the amber "CYCLE" light is illuminated.(see Figure 2.)
5. Check that the drain outlet is free from debris such as paper, toothpicks and sliced fruit.

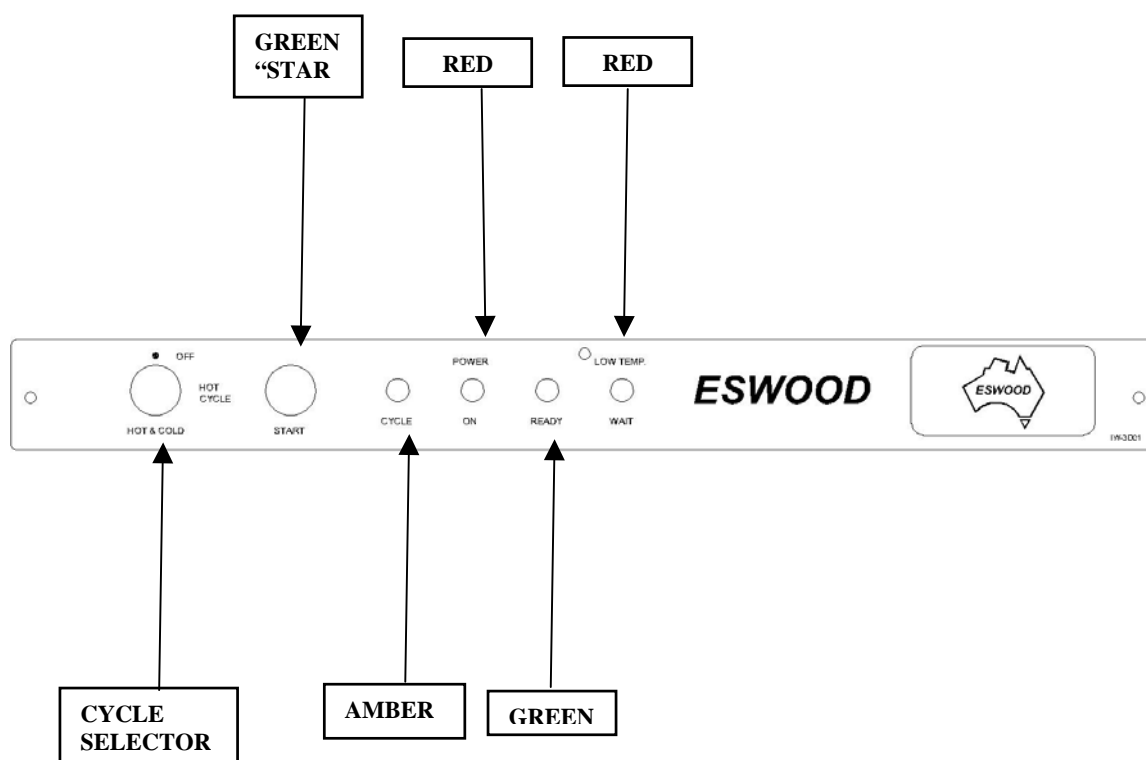


FIGURE 2.



SHUTDOWN AND MAINTENANCE

7

1. Turn selector switch "OFF".
2. Remove any debris(beware of broken glass) from the wash tank and drain outlet.
3. Clean the exterior of the machine with a damp sponge. Do not pass water over the electrical controls and avoid abrasives or strong detergents.
4. Leave the door open to allow the machine to air.



TROUBLE SHOOTING

8

Problem

Possible cause and remedy

When machine is turned on, red power light does not illuminate

(a) Check machine is plugged in and turned on.

(b) Check fuses(15 Amp) are okay.

c) Power light may be burnt out. If so, replace it (this will not stop machine from operating though).

Machine will not start

(a) Check operation of the door switch.

(b) Ensure that the water temperature has reached 82°C - standard Ready light-

(c) Check faulty element or low-cut-out thermostat.

Poor water pressure during wash/rinse

(a) Check if hot water isolating valve is fully open, and check for obstructions in the hot water supply line.(line strainer)

(b) Check for obstruction in the hot water supply solenoid valve and clean if necessary. Check diaphragm and replace if faulty.

Poor wash

(a) Check that detergent feeder to machine is operating correctly, and that detergent is not empty.

(b) Check for foreign matter in wash arm jets. Clean if necessary.

(c) Check that glasses to be washed are correctly placed in racks.

(d) Check temperature of break tank. If incorrect check thermostat setting and heating element.



Problem

Possible cause and remedy

(e) Check that the wash pump is functioning.

Poor pressure from upper rotary arm

(a) Check that hot water pressure to machine is not less than 100 kPa. If so, ensure that the hot water isolating valve is fully open.

(b) Check that cold water pressure to machine is not less than 100 kPa. If so, ensure that the cold water isolating valve is fully open.

(c) Check for foreign matter and clean if necessary.

(d) Check that the water supply solenoid valve is functioning correctly.

(e) Check that the line strainers are not partially blocked. If so, remove and clean filter.

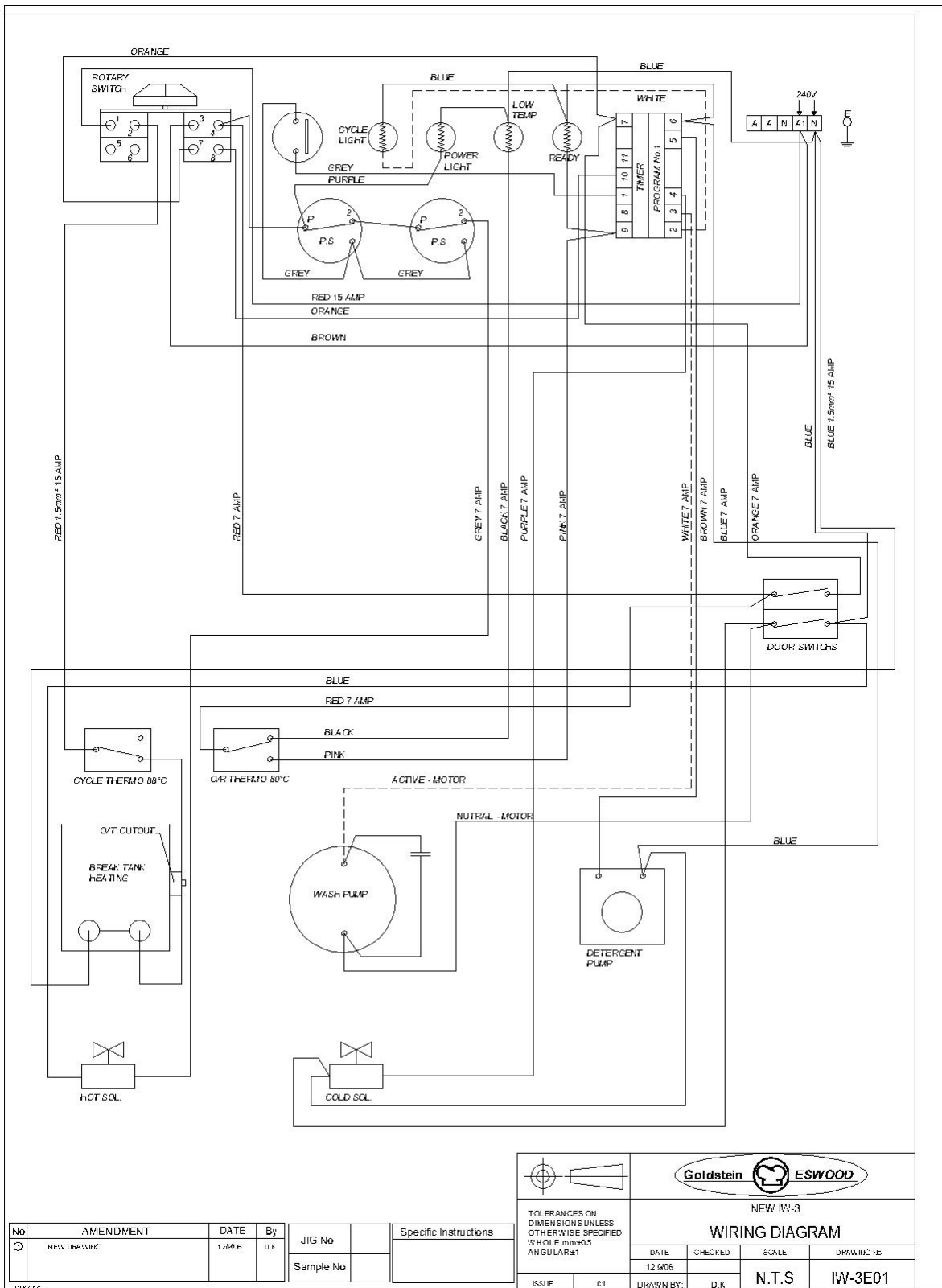
Insufficient rinse Temperature

(a) Ensure that temperature of incoming water supply is at least 65°C



WIRING DIAGRAM

9



No	AMENDMENT	DATE	By	JIG No	Specific Instructions
①	NEW DRAWING	12/05/06	D.K.		
				Sample No	

NEW IW-3			
WIRING DIAGRAM			
DATE	CHECKED	SCALE	DRAWING NO.
12/06/06		N.T.S	IW-3E01
ISSUE	R1	DRAWN BY:	D.K.

TOLERANCES ON DIMENSIONS UNLESS OTHERWISE SPECIFIED:
 WHOLE mm ±0.5
 ANGULAR ±1



SPARE PARTS

10

Code	Description
200715	INLET HOSE
A-1917-1	BUSH - RINSE ARM 32/50
A-1917-4	CARBON BEARING BUSH
A-2452	RINSE ARM DISC B-42
A-2454-1	RINSE ARM 2 JETS
A-2454-2	RINSE ARM 3 JETS
A-2560	DOOR HINGE ROD
A-2887	DOOR CATCH
B-1108	THRUST SCREW
B-42A05	DOOR ASSEMBLY
B-42A07	RACK GUIDE ASSY
B-42A10	PLUNGER ASSY - MICRO
B-42G01	RUBBER GASKET DOOR SWITCH
B-42P25	FRONT PANEL
B-42T02	BEARING TUBE PLUNGER
C-0450U	WASH PUMP ASSY
EM-136	CAPACITOR 12.5 UF
EP-125	SOLENOID VALVE
EP-149	STRIP CONNECTOR 12 POLE 3
EP-151	16MM CABLE GLAND IP68
EP-156	TRANI LAMP RED
EP-157	TRANI LAMP GREEN
EP-158	TRANI LAMP AMBER
EP-211	ELEMENT 3.0 KW
EP-252	DETERGENT PUMP
EP-341	15A PLUG AND LEAD GREY 3M
GSK-010	3/4 BSP GASKET
GSK-014	GASKET
GSK-015	GASKET
GSK-016	GASKET
HC-104	HOSE CLAMP 16MM
HC-108	H/CLAMP W/DRIVE S/STEEL 1
HC-110	HOSE CLAMPS 22-38
HC-116	HOSE CLAMP 35-48
HC-121	HOSE CLAMP 44-56
IW-3A03	RINSE TANK ASSY
IW-3A06	WASH "T" JUCTION
IW-3A11	WASHARM ASSY
IW-3A12	BRIDGE BRACKET ASSY
IW-3M01	LOWER RINSE BEARING PIN
IW-3M01-1	UPPER RINSE BEARING PIN



SPARE PARTS

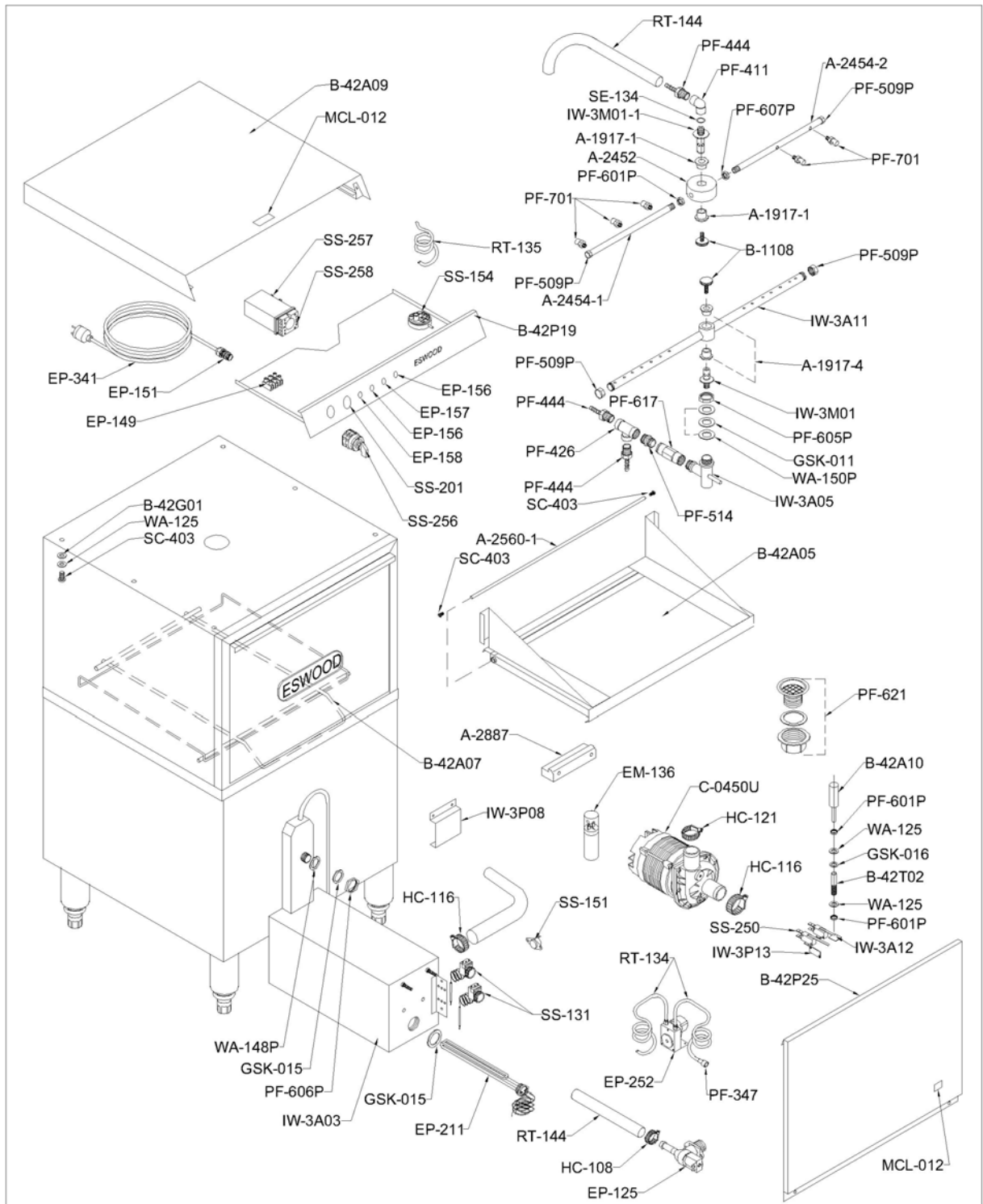
10 – Cont'd

Code	Description
IW-3P08	OVERFLOW COVER
IW-3P14	FILL TUBE BRACKET
MCL-012	WARNING LABEL - ELECT
PF-347	FILTER VALVE
PF-411	1/2" ELBOW
PF-426	TEE 1/2" B.S.P. BRASS
PF-444	TAIL PIECE 1/2"BSPX1/2" B
PF-509P	CAP 3/8 X 26TPI THD - BRA
PF-514	HEX NIPPLE 1/2"X1/2" BSP
PF-601P	HEX BACK NUT 1/8"BSP BRAS
PF-605P	3/4" BACK NUT CHROME
PF-606P	1" BACK NUT - CHROME
PF-617	CHECK VALVE 1/2"BSP R.M.C
PF-621	WASTE OUTLET-PLASTIC COMP
PF-701	RINSE JET ES-25
RT-134	TUBE-5MM ID CLEAR X 1 MET
RT-144	HOSE RUBBER 12MM X 1M
SE-134	O'RING
SS-131	THERMOSTAT
SS-151	SENSOR
SS-154	PRESSURE SWITCH
SS-201	START BUTTON (GREEN)
SS-250	MICRO SIWTCH 16A 43MM LEVER
SS-256	ROTARY SWITCH + KNOB
SS-257	ELECTRONIC TIMER
SS-258	BASE TIMER
WA-148P	1" WASHER - CHROME
WA-150P	3/4" WASHER – CHROME



DRAWING

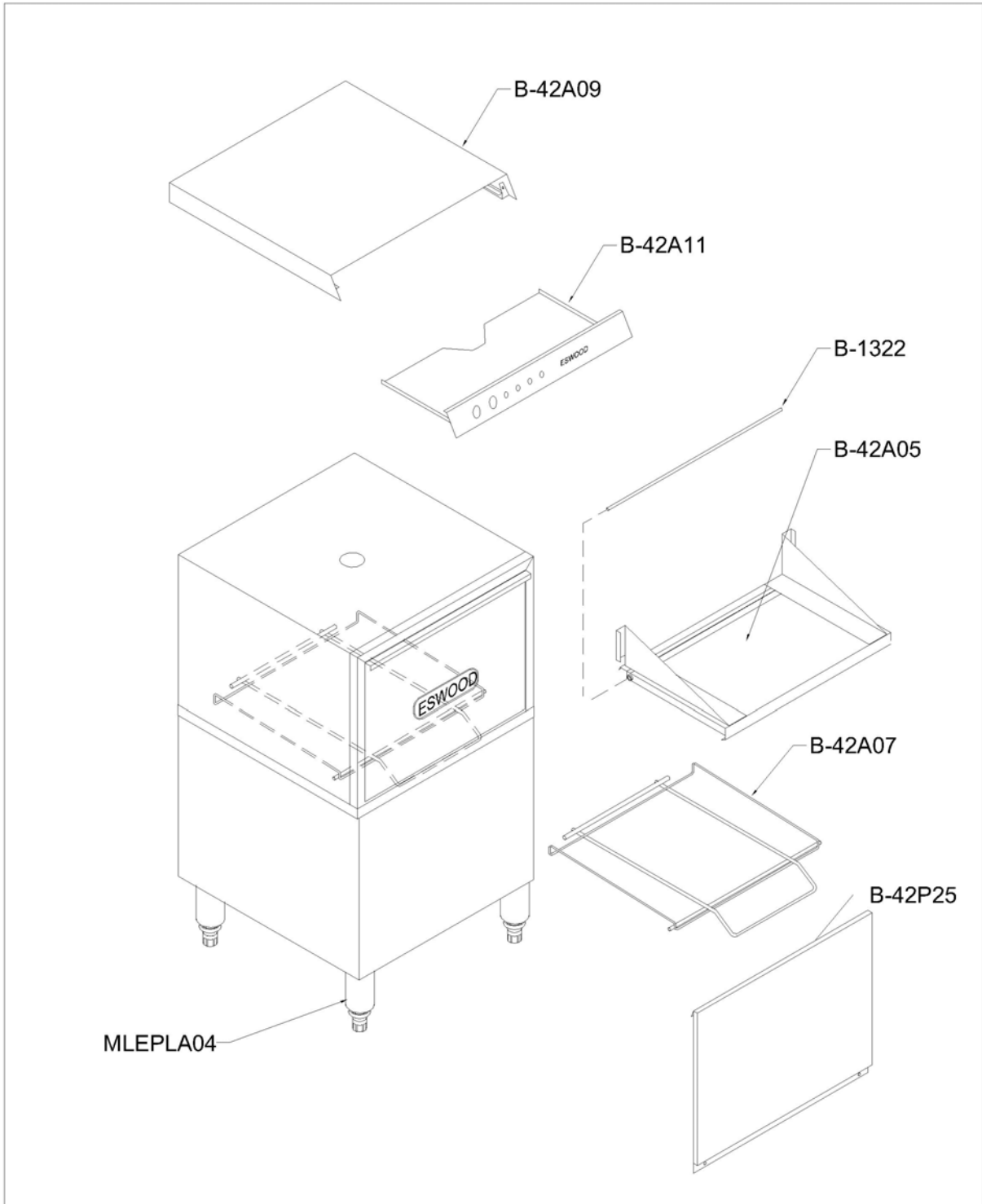
11



IW-3N ESWOOD	REVISION:	FROM SERIAL No.	1
	ISSUE: 02		
	15/1/07		
	BY: D.K		
			4/12/06
			DRN: D.K

DRAWING

11



IW-3N ESWOOD	REVISION:	FROM SERIAL No.	1 30/11/06 DRN: D.K
	ISSUE: 02		
	DATE: 14/11/08		
	BY: D.K		



GOLDSTEIN/ESWOOD BRANCHES

12

For inquiries please call your nearest state branch:

Goldstein-Eswood (Head office)

211-213 Woodpark Road,
Smithfield,
New South Wales, 2164.

Phone: (02) 9604 7333

Fax: (02) 9604 5420

Victoria

Unit 13,
260-264 Wickham Road,
Moorabbin, Victoria, 3189.

Phone: (03) 9553 1355

Fax: (03) 9553 0785

Queensland

Unit 12,
Nautilus Complex
210 Queensport Road,
Murarrie Queensland, 4172.

Phone: (07) 3890 1811

Fax: (07) 3890 1788

South Australia

Suite 26,
283-287 Sir Donald Bradman Drive
Brooklyn Park,
South Australia, 5032.

Phone: (08) 8238 3423

Fax: (08) 8238 3400

Western Australia

10 Wittenberg Drive,
Canning Vale,
Western Australia, 6155.

Phone: (08) 9456 0559

Fax: (08) 9456 0554