

ITEM	QTY	PART NO.	DESCRIPTION
8	1	6186	SUPPLY PWR MDR-40-24 24VDC
7	2	5982	RELAY DPDT 24VDC COIL
6	1	36451	FAN COOLING 230V AC
5	1	65564	DISPLAY, NCC CTRL
4	2	65701	MOTOR/PAUSE SETTER 42R AC INVRT
3	1	65756	MOTOR/GEAR 5200 GTR2
2	1	66745	ASSY CTRL DOOR RH W/ RESETS
1	1	66286	ASSY BRKT COMP PS636 SB

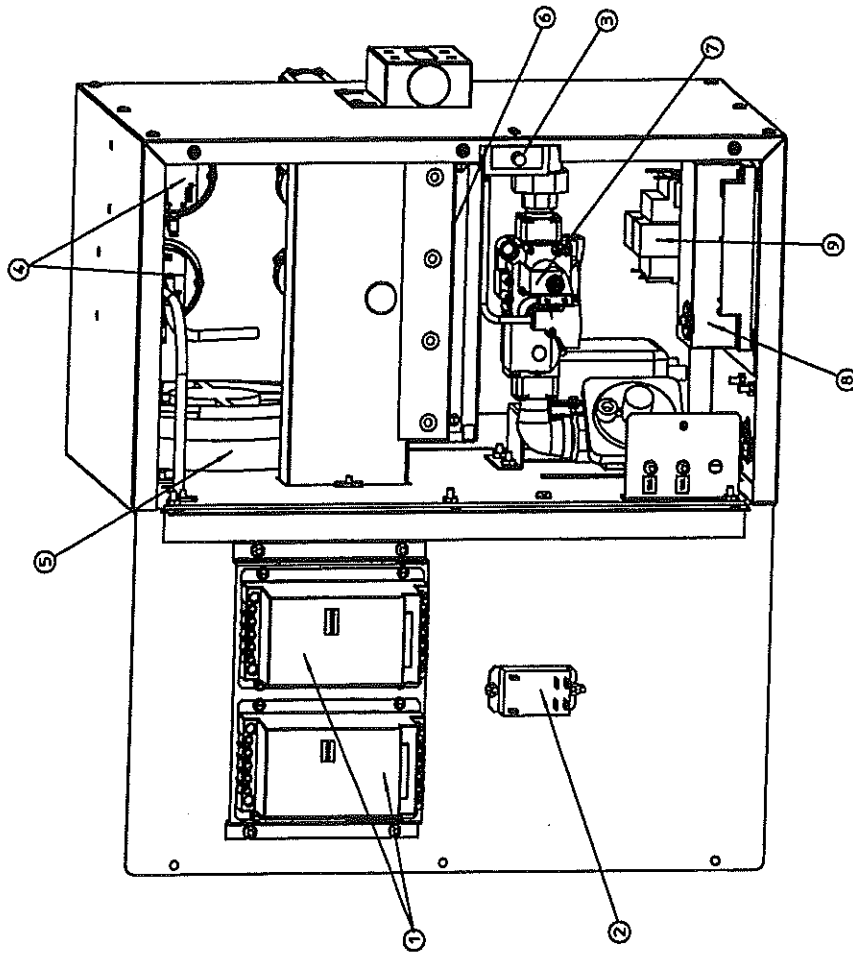
ITEM	QTY	PART NO.	DESCRIPTION
11	1	30983	CTRL/ELEC H-LIMIT 240V
10	1	66323	ASSY TERMINAL BLOCK GREY
9	1	66322	ASSY TERMINAL BLOCK BLUE

THIS DRAWING IS CONFIDENTIAL AND  
 PROPERTY OF  
**THE MIDDLEBY CORPORATION**  
 4400 Touhy Avenue Drive  
 Elgin, Illinois 60120  
 847-741-3300

TELEPHONE DIMENSIONS  
 SPECIFIED  
 ANGLES ± 1.0°  
 DEC ± .030  
 DEC ± .015  
 DEC ± .005

MATERIAL: \_\_\_\_\_ GAUGE: \_\_\_\_\_  
 FINISH: \_\_\_\_\_ CHECKED: \_\_\_\_\_  
 DRAWN: \_\_\_\_\_ APPROVED: \_\_\_\_\_

**CONTROL RH PS636 PARTS**  
 PART NO. \_\_\_\_\_ SHIT \_\_\_\_\_ OF \_\_\_\_\_ REV \_\_\_\_\_  
 ALL DIMENSIONS ARE IN INCHES  
 UNLESS OTHERWISE SPECIFIED.  
 DO NOT SCALE DRAWING



ITEM	QTY	PART NO.	DESCRIPTION
9	1	32108	XPRR240V PRI ZAY 65VA SEC
8	1	61602	IGNITION SPARK MOD
7	1	65950	ASSY.GAS MANIFOLD PS636
6	1	66761	ASSY.ANSHOT MANIFOLD PS636
5	1	36451	FAN.COOLING 230V AC
4	2	62044	SWITCHLAR .08 WC (CLEVELAND)
3	1	63909	SWITCHINTLCK 12A 102P
2	1	50794	RELAY.240VAC 2P'S
1	2	66065	INVERTER. 1/2 HP ACTECH

MATERIAL	SAUER	TOLERANCE UNLESS SPECIFIED IS .01"
FINISH		DEC .X ±.030
DRAWN	CHECKED	.XX ±.015
		.XXX ±.003
		APPROVED

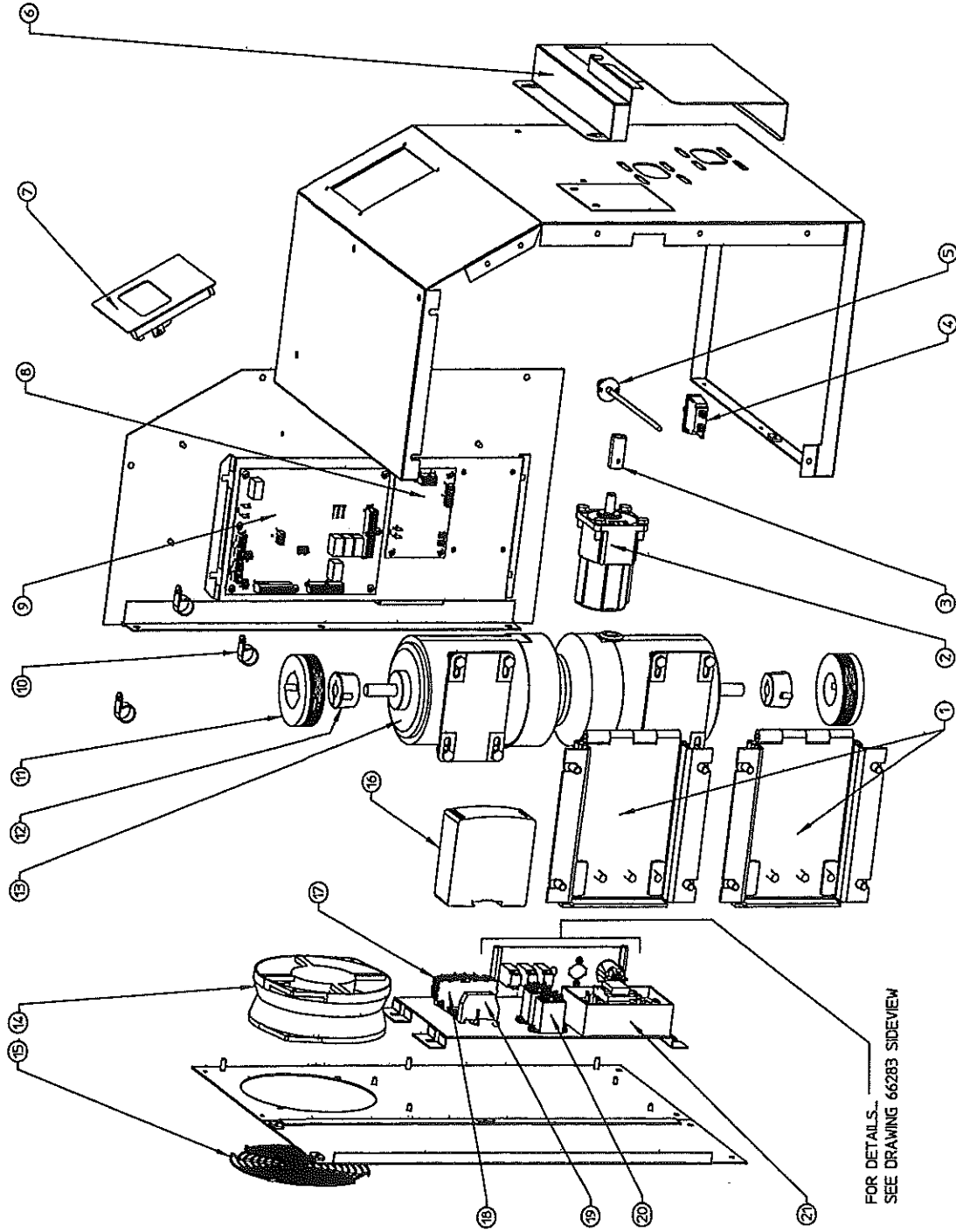
THIS DRAWING IS CONFIDENTIAL AND PROPERTY OF  
 THE MIDDLEBY CORPORATION  
 1400 Transformer Drive  
 Elgin, Illinois 60120  
 847-741-3300

CONTROL LH PS636 PARTS

ALL DIMENSIONS ARE IN INCHES PART NO  
 UNLESS OTHERWISE SPECIFIED.  
 DO NOT SCALE DRAWING

REV |  
 | SHT |  
 | OF |

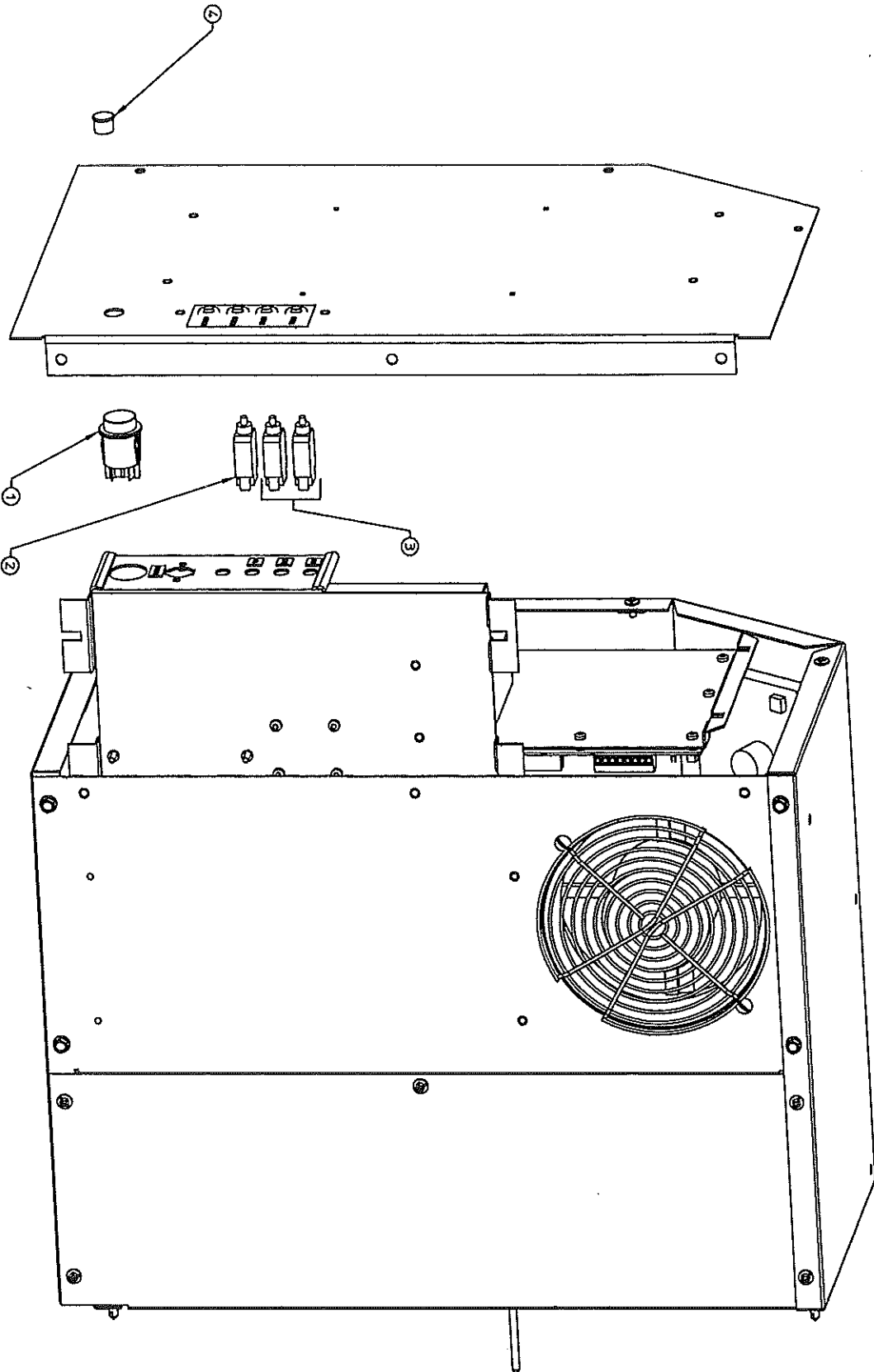
# 66283 ASSY, CTRL RH L-R PS636



FOR DETAILS...  
SEE DRAWING 66283 SIDEVIEW

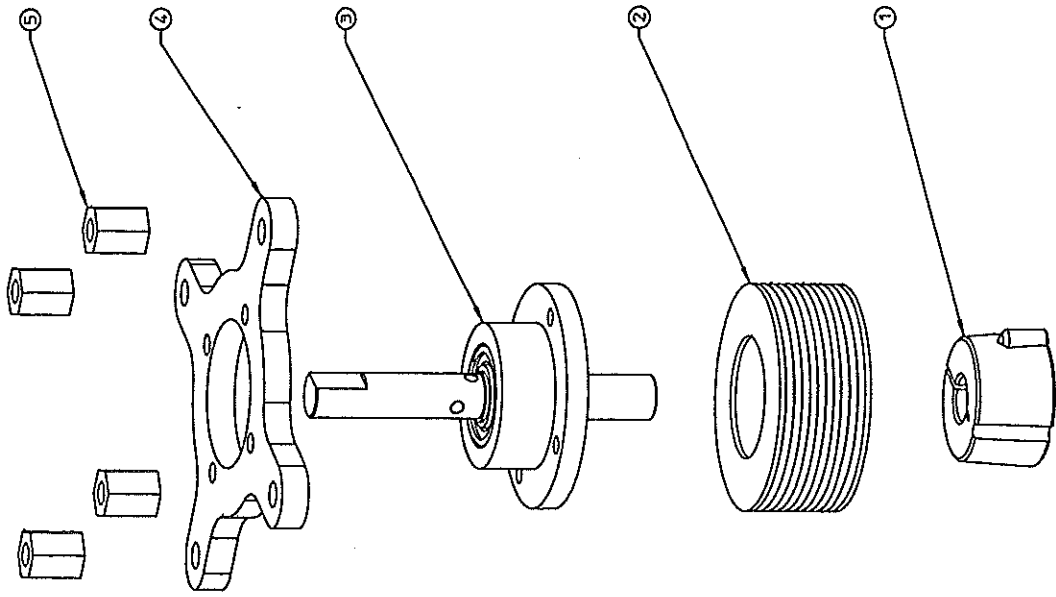
ITEM	QTY	PART NO.	DESCRIPTION
21	1	39983	CNTRL, ELEC HI-LIMIT 240V
20	2	59132	RELAY, DPDT 24VDC COIL
19	2	33363	END, STOP ENTREELEC
18	1	66322	ASSY, TERMINAL BLOCK BLUE
17	1	66323	ASSY, TERMINAL BLOCK GREY
16	1	61886	SUPPLY, PWR MDR-40-24 24VDC
15	1	31497	GUARD, FINGER COOLING FAN 360WB
14	1	36451	FAN, COOLING 230V AC
13	2	65701	MOTOR, PACESETTER 42R AC INVRT
12	2	60958	BUSHING, TAPER LOCK 1/2" BORE
11	2	65716	SHEAVE, POLY-V 6-GRV 3.00D
10	6	27276-0002	CLAMP, CABLE NYLON
9	1	65565	BOARD, MAIN PS636
8	1	65566	BOARD, MOTOR CNTRL PS636
7	1	65564	DISPLAY, NCC CTRL
6	1	66049	BOX, CHAIN CVR
5	1	39812-1	TC TYPE "J" SHIELDED 6.00X120"
4	1	63909	SWITCH, INTLCK 12A NO2P
3	1	65618	ADAPTOR, MOTOR SHAFT
2	1	65756	MOTOR, GEAR 4200 GTR2
1	2	65703	ASSY, ADJ MOTOR MOUNT

66283 ASSY, CTRL RH L-R PS636 SIDEVIEW



ITEM	QTY	PART NO.	DESCRIPTION
4	1	60166	PLUG, WINDOW HEYCO 1905
3	2	45036	BREAKER, CIRCUIT 240V 3A
2	1	45644	BREAKER, CIRCUIT 240V 1A
1	1	35145	SWTCH, PB HOLYENO 250V

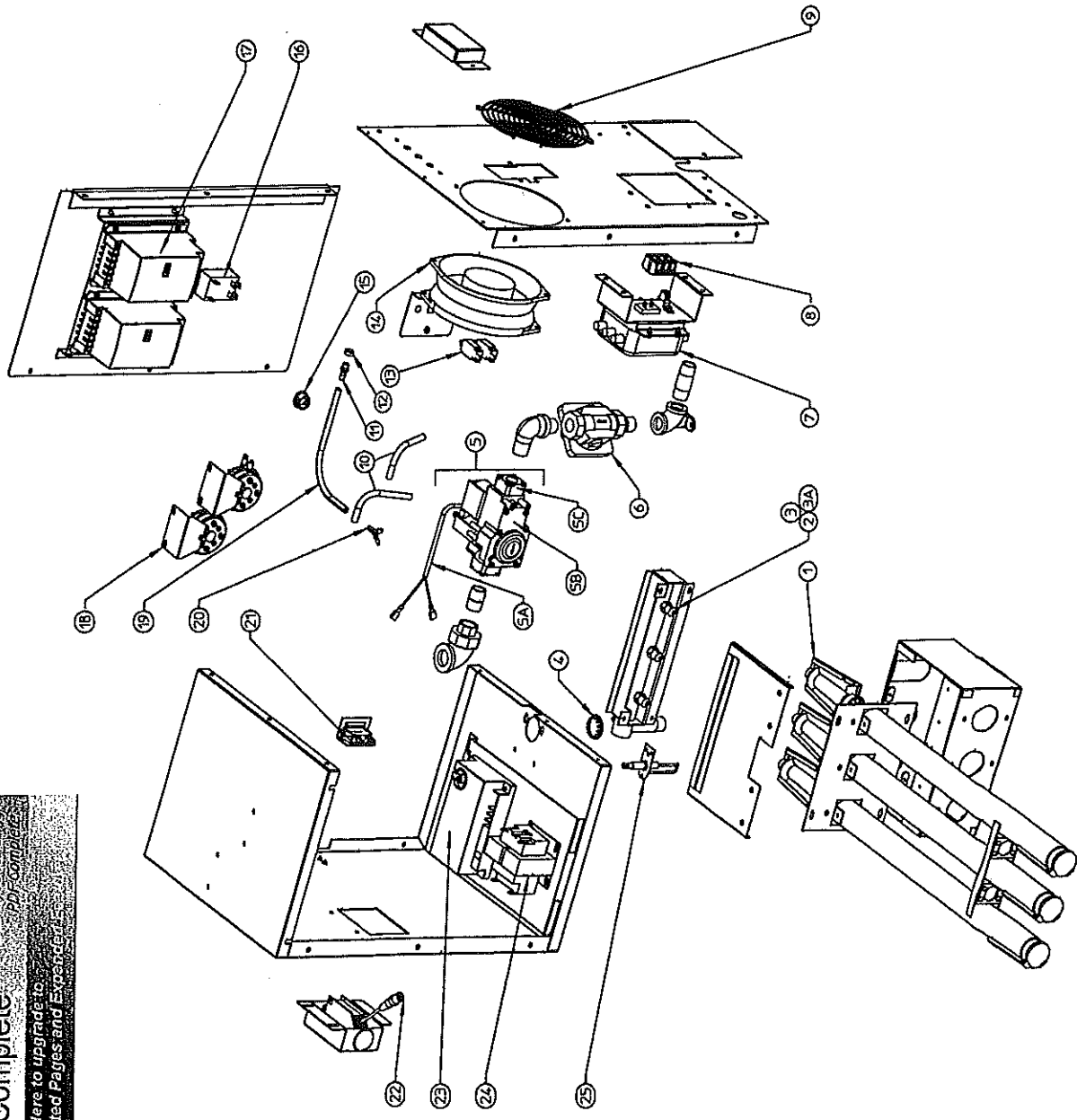
# 66228 ASSY, BLWR BRG PS636



ITEM	QTY	PART NO.	DESCRIPTION
5	8	59939	SPACER, THREADED 1/4-20 X .625
4	2	59938	PLATE, BLWR BRG MTG PS624
3	2	61745	ASSY, BRG/SHAFT HOLDER PRELOAD
2	2	66227	SHEAVE, POLY-V 10-GRV 2.53D
1	2	60958	BUSHING, TAPER LOCK 1/2" BORE

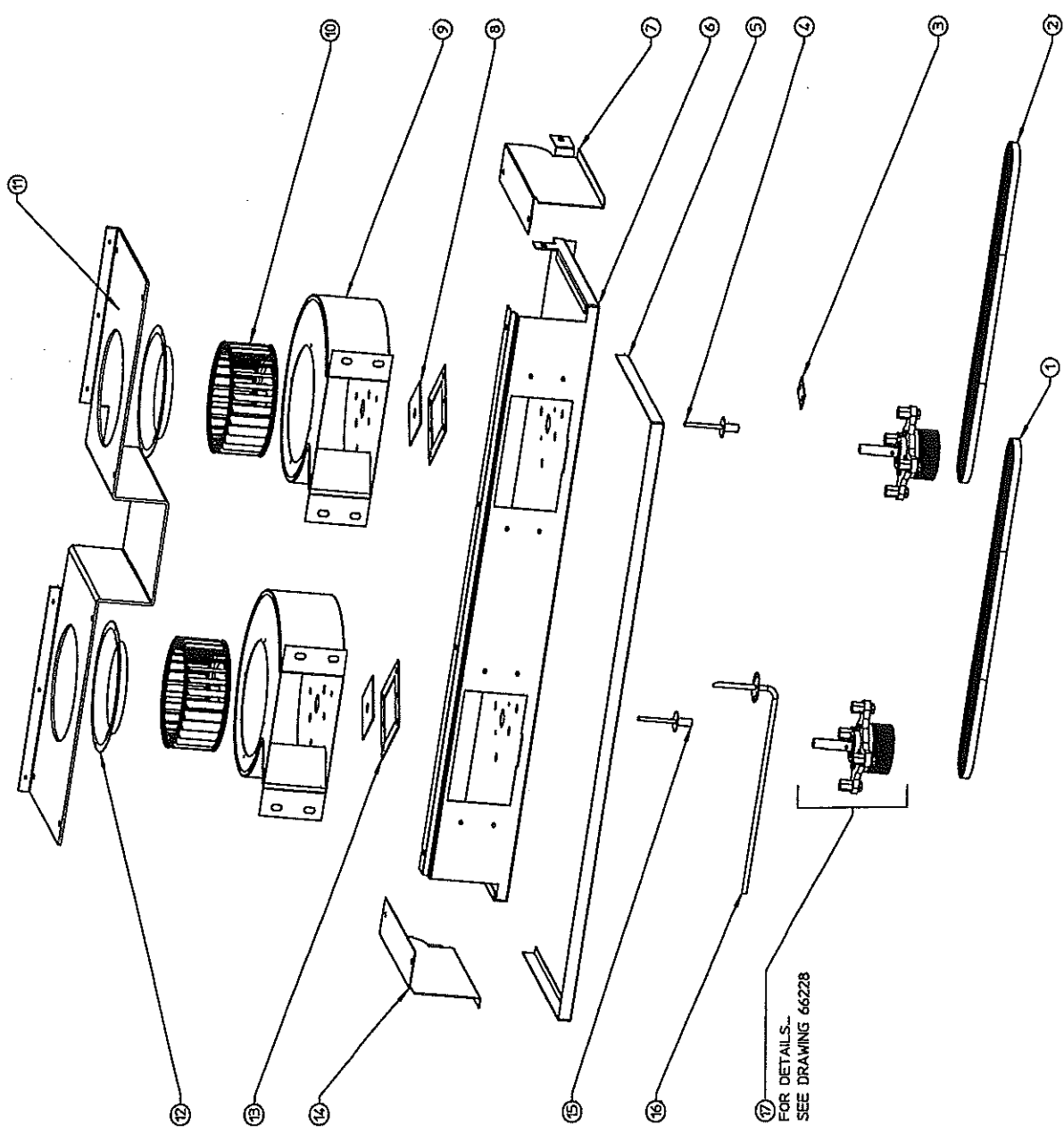
GAS RR L-R PS636

**PDF Complete**  
 Your complete solution for unlimited pages and expanded...  
 Click here to upgrade to unlimited pages and expanded...



ITEM	QTY	PART NO.	DESCRIPTION
25	1	62288	ELECTRODE
24	1	32108	XPMR, 240V PRI 24V 65VA SEC
23	1	61603	PANEL, END PLUG OUTER TOP
22	1	60185	SENSOR, ALLEN-BRADLEY 42BT
21	1	63909	SWITCH, INTLCK 12A N02P
20	1	62788	CONNECTOR, PLASTIC Y
19	1	62140	TUBE, AIR SWITCH 8 1/2"
18	2	62044	SWITCH, AIR .08 WC (CLEVELAND)
17	2	66055	INVERTER, 1/2 HP ACTECH
16	1	50794	RELAY, 240VAC 2PS
15	1	66298	PLUG, SHORTY WINDOW
14	1	36451	FAN, COOLING 230V AC
13	2	59206	BREAKER, CIRCUIT 240V 10A
12	1	62739	NUT, PANEL MOUNT 5/16-24
11	1	62737	ADAPTER, PLASTIC THREADED
10	2	62141	TUBE, AIR SWITCH 4 1/2"
9	1	31497	GUARD, FINGER COOLING FAN 360WB
8	1	44390	BLOCK, TERM 600V 50A 3 POLE
7	1	33813	FILTER, RFI TYPE F1780DD020
6	1	64169	REGULATOR, GAS 1/2X1/2
5C	2	60670	FLANGE, END 1/2" NPT
5B	1	60557	VALVE, GAS MODULATING HONEYWELL
5A	1	60747	ASSY, CONNECTOR VALVE MOD
5	1	60679	ASSY, VALVE GAS MOD HNYWL
4	1	3102533	PLUG, HOLE 1/25 DIA.
3A	3	59143	ORIFICE/MAIN LP 1.45MM (057)
3	1	66289	KIT, CNVR NAT-LP PS636 75,000 BTU
2	3	44984	ORIFICE, #42 NATURAL GAS
1	3	59002	BURNER, INSHOT PS520G
			DESCRIPTION

# 65826 ASSY, BLWR PANEL BTM



17 FOR DETAILS...  
SEE DRAWING 66228

ITEM	QTY	PART NO.	DESCRIPTION
17	2	66228	ASSY, BLWR BEARING PS636
16	1	65741	PROBE, AIR SENSE LWR PS636
15	1	66317	ASSY, TC W/ SOCKET (LONG)
14	1	65891	WLDMT, BLWR SIDE COVER
13	2	66213	RETAINER, SHAFT SEAL PS636
12	2	65685	RING, BLWR INLET
11	1	66162	WLDMT, BLWR COVER
10	2	65754	WHEEL, BLWR 5.75D PS636
9	2	65658	HOUSING, BLWR PS636
8	2	59669	SEAL, SHAFT 1/2" PTFE PS624
7	1	65890	WLDMT, BLWR SIDE COVER
6	1	65833	WLDMT, BLWR INSUL
5	1	65477	TAPE, FIBERGLASS 56 x 1 x 0.625
4	1	66318	ASSY, TC W/SOCKET (SHORT)
3	1	61865	PLATE, CVR SENSOR
2	1	66382	BELT, POLY-V JASON 370
1	1	66381	BELT, POLY-V JASON 400


  
 Your compliance is our priority.
   
 Use perfect this online.
   
 Thanks you for your trust.
   
 PDF Complete
   
 Click Here to upgrade to
   
 Unlimited Pages and Exports

IGS/HDWR PS636

ITEM	QTY	PART NO.	DESCRIPTION
5	2	65872	ASSY.END PLUG PS636
4	2	65456	ASSY. END PLUG UPPER PS636
3	8	48640	ASSY.END PLUG MOUNTING PS536
2	8	36452	NUT.WING-PLASTIC 1/4-20
1	16	21296-0005	SCR.HX WSHRD 12-12X3/4 SS BSD

